

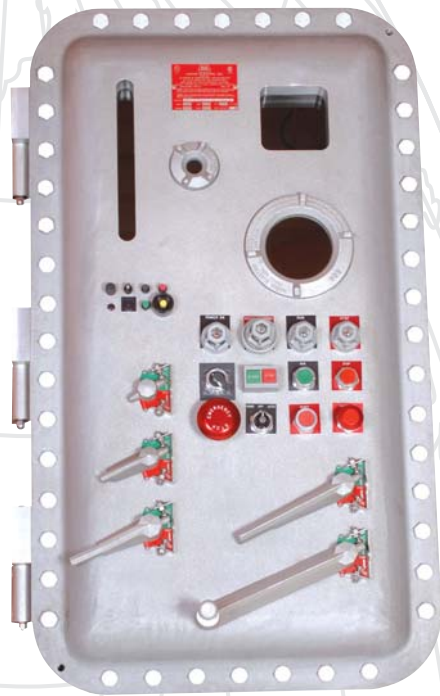
Explosion-Proof Control Stations



- **CXJ Series.....pgs. 48-66**
External flange control station
- **CXJ-FCS Series.....pgs. 51-54**
External flange control station with flat cover
- **CXI Series.....pgs. 67-71**
Internal flange control station
Pendant Stations
- **XJIH Series.....pgs. 72-77**
Instrument Housing control station
- **XJIHD Series.....pgs. 78-79**
Dual-Sided Instrument Housing control station
- **XJCTS Series.....pgs. 80-82**
Solid screw top control station
- **XJCTG Series.....pgs. 80-82**
Glass screw top control station
- **XJCTD Series.....pgs. 83-84**
Domed screw top control station

1025 Eagon Street Barberton, Ohio 44203 Ph: 330-745-8891 Fax: 330-745-2504
www.AkronElectric.Com E-Mail: Sales@AkronElectric.Com

Explosion-Proof Control Stations “CXJ” Series



Over 75 Sizes Available For Hazardous Locations

Applications:

Applications where hazardous gases, vapors, liquids, flammable fibers, flyings or combustible dusts can exist during the time of operation

Locations including Oil / Petroleum Refineries, Waste Water Treatment Plants, Petrochemical Plants, Mining Facilities, etc.

Control Stations are used for electrical components installed directly in the enclosure and they are capable of being drilled and tapped.

These components can be controlled or viewed in hazardous environments (indoor & outdoor)

ATEX Certification: (Optional)

If ATEX certification is required, please specify.

Add “-CEN” to Part Number to designate ATEX. (Optional)

Certain Features are added to the CXJ Series if ATEX is required:

- Metric Cover Bolts
- External Ground Screw
- If NEMA 4 O-Ring is required, IP 66 Rating Applies

“This is the highest quality enclosure made in the industry. Our quality matched by our quick ship program gets the job done.”

Features:

External Machined Flange Joint Design

Integral Cast Mounting Feet

Machined Surface Perimeter for ease of hinge installation

(N5) Stainless Steel or (E3) Triple Lead Stainless Steel
Captive Quick Thread Cover Bolts (Optional-Domestic Only)

Ground Lug Package (Optional)

Cast Mounting Pan Bosses

All enclosures suitable for drilling and tapping

Stainless Steel Shot Blast or Sandblasted natural finish

Standard round or custom sized windows available

Cast aluminum and stainless steel hinge (optional)

All enclosures suitable for NEMA 4X (optional), **specify when required**

Materials:

Enclosures: Copper-free Aluminum (less than 0.25% copper content)

Cover Bolts: Cad-Plated (Standard) or Stainless Steel N5 / E3 (Specify)

Hinges: Stainless Steel or Medium to Heavy Duty Cast Aluminum

Mounting Pan (Opt.): Aluminum*;

Gal. Steel or Phenolic Materials available upon request.

*Note: Aluminum Mounting Pan will be provided if mounting pan is requested, unless otherwise noted.



Certificate
Number
03.059.1

ISO
9001 With Design

Approvals:

UL CLASSIFIED - Standard 1203, UL-E139669

UL CLASSIFIED - With Viewing window - UL E14600 (meter enclosure)

cUL (Canada) - Standard C22.2 No. 30-M1986 & No. 25-1966

CSA Certified (Canada) - Standard C22.2 - No. LR86146

Compliances:

CL. I, Div. 1 & 2 Groups B, C & D

CL. II, Div. 1 & 2 Groups E, F & G

CL. III

NEMA 3, 4X (Optional), 7 & 9



DEMKO OS ATEX 05 ATEX0419382U (Empty Housing)

Exd IIB+H2; IP66 (With O-Ring) II2d Tamb - 55 degree C to 100 degree C

EN 60079-0, -1; EN 60529



Explosion-Proof Control Stations "CXJ" Series

CATALOG NUMBER	INSIDE DIMENSIONS (INCHES)				OUTSIDE DIMENSIONS (INCHES)			MOUNTING (INCHES)		MTG. PAN	MTG. PAN DIM.	HINGE CAT. # *	ATEX Optional ADDER	LUG BOLT SIZE (IN.)	MAX. CONDUIT (INCHES)	EST. WEIGHT (LBS.)	
	CXJ	W	L	D	Dc	A	B	C	E								F
4164	4	16	4	1	8	20	6-1/2	12-1/8	6-3/4	N1	3	15	H1/HC1	-CEN	3/8	2	33
664	6	6	4	1	9-3/4	9-3/4	6-1/4	5-1/8	9-1/8	N1	5	5	H1/HC1	-CEN	3/8	2	17
684	6	8	4	1	9-3/4	11-3/4	6-7/16	4-1/2	9-1/8	N1	5	7	H1/HC1	-CEN	3/8	2	23
685	6	8	5	1	9-3/4	11-3/4	7-7/16	4-1/2	9-1/8	N1	5	7	H1/HC1	-CEN	3/8	2	25
686	6	8	6	1	9-3/4	11-3/4	8-7/16	4-1/2	9-1/8	N1	5	7	H1/HC1	-CEN	3/8	2	26
6104	6	10	4	1	10	14	6-3/8	6-1/2	9-1/8	N1	5	9	H1/HC1	-CEN	3/8	2	26
6115	6	11	5	1	10	15	7-7/16	8	9-1/8	N1	5	10	H1/HC1	-CEN	3/8	2	29
6124	6	12	4	1	10	16	6-7/16	8-1/2	9-1/8	N1	5	11	H1/HC1	-CEN	3/8	2	30
6126	6	12	6	1	10	16	8-7/16	8-1/2	9-1/8	N1	5	11	H1/HC1	-CEN	3/8	2	36
6135	6	13	5	1	10	17	7-7/16	9-1/2	9-1/8	N1	5	12	H1/HC1	-CEN	3/8	2	34
6164	6	16	4	1	10-1/2	20-1/2	6-9/16	12-1/8	9-1/8	N1	5	15	H1/HC1	-CEN	3/8	2	42
6186	6	18	6	1-1/2	10-1/2	22-1/2	9-1/16	13-1/8	9-1/8	N1	5	17	H1/HC1	-CEN	3/8	3	46
#6485	6	48	5	1	10	52	7-3/4	40	8	N1	5	46	3H1/3HC1	-CEN	3/8	2	109
7104	7	10	4	1	11-1/2	14-1/2	6-9/16	6-1/2	9-3/4	N1	6	9	H1/HC1	-CEN	3/8	2	20
7106	7	10	6	1	11-1/2	14-1/2	8-9/16	6-1/2	9-3/4	N1	6	9	H1/HC1	-CEN	3/8	3	25
7185	7	18	5	1	11-1/2	22-1/2	7-9/16	14-1/2	9-3/4	N1	6	17	H1/HC1	-CEN	3/8	2	60
884	8	8	4	1	12-1/2	12-1/2	6-9/16	4-1/2	10-3/4	N1	6-1/2	6-1/2	H1/HC1	-CEN	3/8	2	33
886	8	8	6	1	12-1/2	12-1/2	8-9/16	4-1/2	10-3/4	N1	6-1/2	6-1/2	H1/HC1	-CEN	3/8	3	36
888	8	8	8	1	12-1/2	12-1/2	10-9/16	4-1/2	10-3/4	N1	6-1/2	6-1/2	H1/HC1	-CEN	3/8	4	39
8104	8	10	4	1	12-1/2	14-1/2	6-9/16	6-1/2	10-3/4	N1	6-1/4	8-1/4	H1/HC1	-CEN	3/8	2	36
8106	8	10	6	1	12-1/2	14-1/2	8-9/16	6-1/2	10-3/4	N1	6-1/4	8-1/4	H1/HC1	-CEN	3/8	3	41
8108	8	10	8	1	12-1/2	14-1/2	10-9/16	6-1/2	10-3/4	N1	6-1/4	8-1/4	H1/HC1	-CEN	3/8	4	46
8124	8	12	4	1	12-1/2	16-1/2	6-9/16	8-5/8	10-3/4	N1	6-1/2	10-1/2	H1/HC1	-CEN	3/8	2	41
8126	8	12	6	1	12-1/2	16-1/2	8-9/16	8-5/8	10-3/4	N1	6-1/2	10-1/2	H1/HC1	-CEN	3/8	3	46
8128	8	12	8	1	12-1/2	16-1/2	10-9/16	8-5/8	10-3/4	N1	6-1/2	10-1/2	H1/HC1	-CEN	3/8	4	50
9115	9	11	5	1	13-1/2	15-1/2	7-9/16	6	13-1/8	N1	7-1/2	9-1/2	H1/HC1	-CEN	3/8	2	46
10104	10	10	4	1	14-1/2	14-1/2	6-3/4	6-1/2	13	N1	8-1/2	8-1/2	H1/HC1	-CEN	3/8	2	40
10106	10	10	6	1	14-1/2	14-1/2	8-3/4	6-1/2	13	N1	8-1/2	8-1/2	H1/HC1	-CEN	3/8	3	50
10108	10	10	8	1	14-1/2	14-1/2	10-3/4	6-1/2	13	N1	8-1/2	8-1/2	H1/HC1	-CEN	3/8	4	57
10144	10	14	4	1-1/2	14-1/2	18-1/2	7-3/16	10-5/8	13	N1	8	12	H1/HC1	-CEN	3/8	2	60
10146	10	14	6	1-1/2	14-1/2	18-1/2	9-3/16	10-5/8	13	N1	8	12	H1/HC1	-CEN	3/8	3	68
10148	10	14	8	1-1/2	14-1/2	18-1/2	11-3/16	10-5/8	13	N1	8	12	H1/HC1	-CEN	3/8	4	75
12124	12	12	4	1-1/2	17	17	7-1/2	8-5/8	15-3/4	N1	10	10	H1/HC1	-CEN	1/2	2	70
12126	12	12	6	1-1/2	17	17	9-1/2	8-5/8	15-3/4	N1	10	10	H1/HC1	-CEN	1/2	3	77
12126LW	12	12	6	1-5/16	16	16	8-7/8	8-5/8	15-3/4	N1	10	10	H1/HC1	-CEN	1/2	4	58
12128	12	12	8	1-1/2	17	17	11-1/2	8-5/8	15-3/4	N1	10	10	H1/HC1	-CEN	1/2	4	87
12184	12	18	4	1-1/2	17	23	7-1/2	14-1/8	15-3/4	N1	10	16	H2	-CEN	1/2	2	102
12186	12	18	6	1-1/2	17	23	9-1/2	14-1/8	15-3/4	N1	12	16	H2	-CEN	1/2	3	116
12188	12	18	8	1-1/2	17	23	11-1/2	14-1/8	15-3/4	N1	12	16	H2	-CEN	1/2	4	120
12205	12	20	5	1-1/2	17	25	8-1/2	14-3/8	15-3/4	N1	10	18	H2	-CEN	1/2	2	111
12244	12	24	4	1-1/2	17-1/8	29-1/8	7-5/8	18-3/4	15-3/4	N1	10	22	H2	-CEN	1/2	2	126
12246	12	24	6	1-1/2	17-1/8	29-1/8	9-5/8	18-3/4	15-3/4	N1	10	22	H2	-CEN	1/2	3	142
12248	12	24	8	1-1/2	17-1/8	29-1/8	11-5/8	18-3/4	15-3/4	N1	10	22	H2	-CEN	1/2	4	154
122410	12	24	10	1-1/2	17-1/8	29-1/8	13-5/8	18-3/4	15-3/4	N1	10	22	H2	-CEN	1/2	4	165
12306	12	30	6	1-1/2	17	35	9-5/8	23	15-3/4	N1	10	28	H2	-CEN	1/2	3	177

* Note: (H1) = Stainless Steel Modular Hinge; (HC1, H2) = Cast Aluminum Hinge (H1/HC1 - Choose one of these when required)

** Available Depth = D + Dc

1025 Eagon Street Barberton, Ohio 44203 Ph: 330-745-8891 Fax: 330-745-2504
www.AkronElectric.Com E-Mail: Sales@AkronElectric.Com

Explosion-Proof Control Stations "CXJ" Series

CATALOG NUMBER	INSIDE DIMENSIONS (INCHES)				OUTSIDE DIMENSIONS (INCHES)			MOUNTING (INCHES)		MTG. PAN	MTG. PAN DIM.		HINGE CAT. # *	ATEX Optional ADDER	LUG BOLT SIZE (IN.)	MAX. CONDUIT (INCHES)	EST. WEIGHT (LBS.)	
	CXJ	W	L	D	Dc	A	B	C	E		F	---						W
	Available Depth**																	
12364	12	36	4	1-1/2	17	41	7-5/8	29	15-3/4	N1	10	34	3H2	-CEN	1/2	2	197	
12366	12	36	6	1-1/2	17	41	9-5/8	29	15-3/4	N1	10	34	3H2	-CEN	1/2	3	210	
12368	12	36	8	1-1/2	17	41	11-5/8	29	15-3/4	N1	10	34	3H2	-CEN	1/2	4	222	
*12468	12	46	8	1-1/2	17-1/8	51-1/8	11-5/8	15-3/4	39	N1	10	44	3H2	-CEN	1/2	4	260	
14144	14	14	4	1-1/2	19-1/8	19-1/8	7-1/2	9-3/4	17-1/2	N1	12	12	H2	-CEN	1/2	2	83	
14146	14	14	6	1-1/2	19-1/8	19-1/8	9-1/2	9-3/4	17-3/4	N1	12	12	H2	-CEN	1/2	3	94	
14148	14	14	8	1-1/2	19-1/8	19-1/8	11-1/2	9-3/4	17-3/4	N1	12	12	H2	-CEN	1/2	4	104	
14286	14	28	6	1-1/2	19-1/8	33-1/8	9-1/2	22-1/2	17-3/4	N1	12	26	H2	-CEN	1/2	3	153	
16164	16	16	4	1-1/2	21-1/8	21-1/8	7-5/8	11	19-3/4	N1	14	14	H2	-CEN	5/8	2	103	
16166	16	16	6	1-1/2	21-1/8	21-1/8	9-5/8	11	19-3/4	N1	14	14	H2	-CEN	5/8	3	120	
16168	16	16	8	1-1/2	21-1/8	21-1/8	11-5/8	11	19-3/4	N1	14	14	H2	-CEN	5/8	4	143	
*161812	16	18	12	1/4	21-61/64	23-1/8	14-3/4	13-11/64	19-3/4	N1	15	16	H2	N/A	5/8	4		
16246	16	24	6	1-1/2	21-1/8	29-1/8	9-7/8	8-3/8	19-3/4	N1	14	22	H2	-CEN	5/8	3	174	
16248	16	24	8	1-1/2	21-1/8	29-1/8	11-7/8	18-3/8	19-3/4	N1	14	22	H2	-CEN	5/8	4	194	
162410	16	24	10	1-1/2	21-1/8	29-1/8	13-7/8	18-3/8	19-3/4	N1	14	22	H2	-CEN	5/8	4	212	
*164610	16	46	10	1-1/2	21-1/8	51-1/8	13-3/4	39	19-3/4	N1	14	44	3H2	-CEN	5/8	4	370	
18184	18	18	4	1-1/2	23-1/8	23-1/8	8	13	21-3/4	N1	16	16	H2	-CEN	5/8	2	131	
18186	18	18	6	1-1/2	23-1/8	23-1/8	10	13	21-3/4	N1	16	16	H2	-CEN	5/8	3	149	
18188	18	18	8	1-1/2	23-1/8	23-1/8	12-3/8	13	21-3/4	N1	16	16	H2	-CEN	5/8	4	176	
18246	18	24	6	1-1/2	23-1/8	29-1/8	9-7/8	18-3/8	21-3/4	N1	16	22	H2	-CEN	5/8	3	193	
18248	18	24	8	1-1/2	23-1/8	29-1/8	11-7/8	18-3/8	21-3/4	N1	16	22	H2	-CEN	5/8	4	210	
182410	18	24	10	1-1/2	23-1/8	29-1/8	13-7/8	18-3/8	21-3/4	N1	16	22	H2	-CEN	5/8	4	234	
*182412	18	24	12	1/4	23-5/8	29-3/8	14-13/16	19-11/64	21-3/4	N1	16	22	H2	N/A	5/8	4		
18308	18	30	8	1-1/2	23-1/8	35-1/8	11-7/8	23	21-3/4	N1	16	28	H2	-CEN	5/8	4	268	
18368	18	36	8	1-1/2	23-1/2	41-1/2	12-7/16	30	21-3/4	N1	14	32	3H3	-CEN	5/8	4	410	
183610	18	36	10	1-1/2	23-1/2	41-1/2	14-1/4	29	21-3/4	N1	14	32	3H3	-CEN	5/8	4	436	
24248	24	24	8	1-1/2	29-1/2	29-1/2	12-1/8	18-3/8	28	N1	20	20	H3	-CEN	5/8	4	306	
242410	24	24	10	1-1/2	29-1/2	29-1/2	14-1/8	18-3/8	28	N1	20	20	H3	-CEN	5/8	4	320	
24308	24	30	8	1-1/2	29-1/8	35-1/8	11-7/8	23	28	N1	22	28	H3	-CEN	5/8	4	306	
24368	24	36	8	1-1/2	30	42	12-9/16	29	28	N1	22	28	3H3	-CEN	5/8	4	471	
243610	24	36	10	1-1/2	30	42	14-9/16	29	28	N1	20	32	3H3	-CEN	5/8	4	501	
#323612	32	36	6	6	38-1/4	42-1/4	15-7/8	29	36	N1	30	34	3H3	N/A	5/8	4	600	
#346810	34	68	5	5	40	74	17-1/8	54	42-1/2	N1	34	64	4H3	N/A	5/8	2	1160	
*38388	38	38	8	2	44	44	16-1/8	24	46	N1	36	36	3H3	N/A	5/8	4	840	
#383816	38	38	16	0	44	44	23	24	46	N1	36	36	3H3	N/A	5/8	4	900	

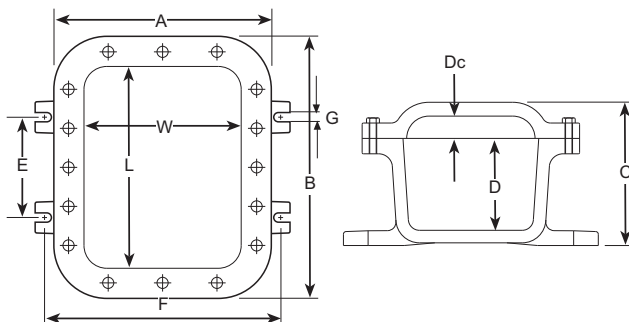
Note: (H2, H3) = Cast Aluminum Hinge

NEMA 4X, 7, 9 enclosures are designed to third party specifications. These boxes carry no formal listings.

* UL / cUL Only enclosures only - (no CSA certification)

** Available Depth = D + Dc

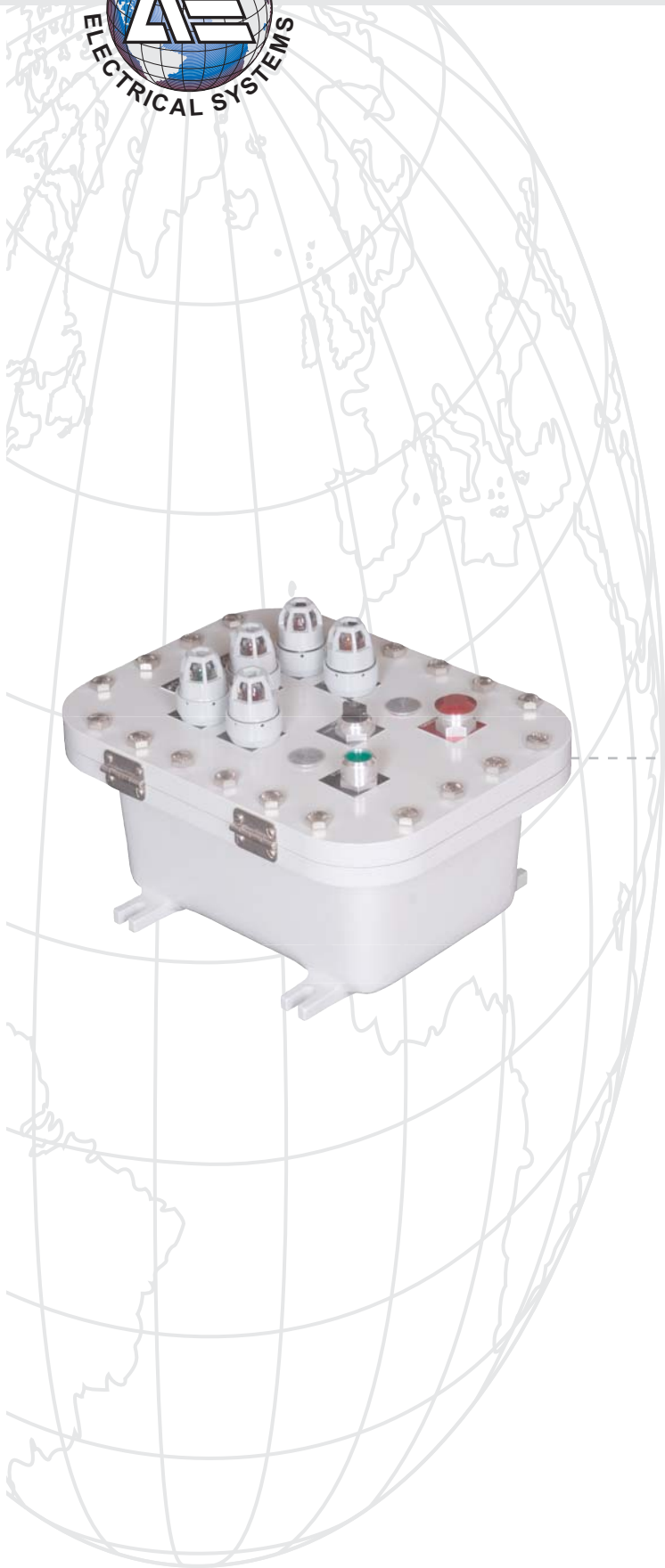
All Dimensions are for Reference Only - C/F for questions regarding design dimensional data



- Consult Factory if larger Mounting Pan is needed
- Mounting feet will be aligned right & left (as shown) unless otherwise specified.
- 9 x 11 x 5 Mounting Feet are top & bottom std.
- For an enclosure size not listed above or a special application, contact Akron Electric.
- All conduit runs must be sealed within 6 inches of the enclosure.
- Note: Enclosures have internal taper (draft) of 1/16" per inch of depth *(dimensions "W" and "L" are across top of base).
- Hinges and mounting pans are not included as standard.
- See pages 55-66 for ordering information, modifications and conduit working area.



Explosion-Proof Flat Cover Control Stations



• **CXJ-FCS Flat Cover Series**

External flange control station with flat cover



Explosion-Proof Flat Cover Control Stations “CXJ-FCS” Series



Over 75 Sizes Available For Hazardous Locations

Applications:

Applications where hazardous gases, vapors, liquids, flammable fibers, flyings or combustible dusts can exist during the time of operation

Locations including Oil / Petroleum Refineries, Waste Water Treatment Plants, Petrochemical Plants, Mining Facilities, etc.

Control Stations are used for electrical components installed directly in the enclosure and they are capable of being drilled and tapped.

These components can be controlled or viewed in hazardous environments (indoor & outdoor)

“Try our new Flat Cover Control Station when extra space is needed for operators.”

Features:

Aluminum Flat Panel Cover

External Machined Flange Joint Design

Integral Cast Mounting Feet

Machined Surface Perimeter for ease of hinge installation

(N5) Stainless Steel or (E3) Triple Lead Stainless Steel Captive Quick Thread Cover Bolts (Optional-Domestic Only)

Ground Lug Package (Optional)

Cast Mounting Pan Bosses

All enclosures suitable for drilling and tapping

Stainless Steel Shot Blast or Sandblasted natural finish

Standard round or custom sized windows available

Cast aluminum and stainless steel hinge (optional)

All enclosures suitable for NEMA 4X (optional), **specify when required**



Materials:

Enclosures: Copper-free Aluminum (less than 0.25% copper content)

Cover Bolts: Cad-Plated (Standard) or Stainless Steel N5 / E3 (Specify)

Hinges: Stainless Steel or Medium to Heavy Duty Cast Aluminum

Mounting Pan (Opt.): Aluminum*;

Galvanized Steel or Phenolic Materials available upon request.

*Note: Aluminum Mounting Pan will be provided if mounting pan is requested, unless otherwise noted.



Certificate
Number
03.059.1

**ISO
9001 With Design**

Approvals:

UL CLASSIFIED - Standard 1203, UL-14600

UL CLASSIFIED - With Viewing window - UL E139669 (meter enclosure)

cUL (Canada) - Standard C22.2 No. 30-M1986 & No. 25-1966

Compliances:

CL. I, Div. 1 & 2 Groups B, C & D

CL. II, Div. 1 & 2 Groups E, F & G

CL. III

NEMA 3, 4X (Optional), 7 & 9



Explosion-Proof Flat Cover Control Stations "CXJ-FCS" Series

CATALOG NUMBER	INSIDE DIMENSIONS (INCHES)			COVER THICKNESS (INCHES)		OUTSIDE DIMENSIONS (INCHES)				MOUNTING (INCHES)		MTG. PAN DIM.		HINGE CAT. # *	LUG BOLT SIZE (IN.)	MAX. CONDUIT (INCHES)	EST. WEIGHT (LBS.)
	CXJ	W	L	D	BB	A	B	C	E	F	---	W	H				
4164-FCS	4	16	4-1/8	7/8	8	20	5-1/2	12-1/8	6-3/4	N1	3	15	H1/HC1	3/8	2	33	
664-FCS	6	6	4	3/4	9-3/4	9-3/4	5-1/4	5-1/8	9-1/8	N1	5	5	H1/HC1	3/8	2	17	
684-FCS	6	8	4	7/8	9-3/4	11-3/4	5-7/16	4-1/2	9-1/8	N1	5	7	H1/HC1	3/8	2	23	
685-FCS	6	8	5	7/8	9-3/4	11-3/4	6-7/16	4-1/2	9-1/8	N1	5	7	H1/HC1	3/8	2	25	
686-FCS	6	8	6	7/8	9-3/4	11-3/4	7-7/16	4-1/2	9-1/8	N1	5	7	H1/HC1	3/8	2	26	
6104-FCS	6	10	4	7/8	10	14	5-7/16	6-1/2	9-1/8	N1	5	9	H1/HC1	3/8	2	26	
6115-FCS	6	11	5	7/8	10	15	6-27/64	8	9-1/8	N1	5	10	H1/HC1	3/8	2	29	
6124-FCS	6	12	4	7/8	10	16	5-7/16	8-1/2	9-1/8	N1	5	11	H1/HC1	3/8	2	30	
6126-FCS	6	12	6	7/8	10	16	7-7/16	8-1/2	9-1/8	N1	5	11	H1/HC1	3/8	2	36	
6135-FCS	6	13	5	7/8	10	17	6-7/16	9-1/2	9-1/8	N1	5	12	H1/HC1	3/8	2	34	
6164-FCS	6	16	4	7/8	10-1/2	20-1/2	5-17/32	12-1/8	9-1/8	N1	5	15	H1/HC1	3/8	2	42	
6186-FCS	6	18	6	7/8	10-1/2	22-1/2	7-17/32	13-1/8	9-1/8	N1	5	17	H1/HC1	3/8	3	46	
#6485-FCS	6	48	5	7/8	10	52	6-1/4	40	8	N1	5	46	3H1/3HC1	3/8	2	109	
7104-FCS	7	10	4	7/8	11-1/2	14-1/2	5-17/32	6-1/2	9-3/4	N1	6	9	H1/HC1	3/8	2	20	
7106-FCS	7	10	6	7/8	11-1/2	14-1/2	7-17/32	6-1/2	9-3/4	N1	6	9	H1/HC1	3/8	3	25	
7185-FCS	7	18	5	7/8	11-1/2	22-1/2	6-17/32	14-1/2	9-3/4	N1	6	17	H1/HC1	3/8	2	60	
884-FCS	8	8	4	7/8	12-1/2	12-1/2	5-17/32	4-1/2	10-3/4	N1	6-1/2	6-1/2	H1/HC1	3/8	2	33	
886-FCS	8	8	6	7/8	12-1/2	12-1/2	7-17/32	4-1/2	10-3/4	N1	6-1/2	6-1/2	H1/HC1	3/8	3	36	
888-FCS	8	8	8	7/8	12-1/2	12-1/2	9-17/32	4-1/2	10-3/4	N1	6-1/2	6-1/2	H1/HC1	3/8	4	39	
8104-FCS	8	10	4	7/8	12-1/2	14-1/2	5-17/32	6-1/2	10-3/4	N1	6-1/4	8-1/4	H1/HC1	3/8	2	36	
8106-FCS	8	10	6	7/8	12-1/2	14-1/2	7-17/32	6-1/2	10-3/4	N1	6-1/4	8-1/4	H1/HC1	3/8	3	41	
8108-FCS	8	10	8	7/8	12-1/2	14-1/2	9-17/32	6-1/2	10-3/4	N1	6-1/4	8-1/4	H1/HC1	3/8	4	46	
8124-FCS	8	12	4	7/8	12-1/2	16-1/2	5-17/32	8-5/8	10-3/4	N1	6-1/2	10-1/2	H1/HC1	3/8	2	41	
8126-FCS	8	12	6	7/8	12-1/2	16-1/2	7-17/32	8-5/8	10-3/4	N1	6-1/2	10-1/2	H1/HC1	3/8	3	46	
8128-FCS	8	12	8	7/8	12-1/2	16-1/2	9-17/32	8-5/8	10-3/4	N1	6-1/2	10-1/2	H1/HC1	3/8	4	50	
9115-FCS	9	11	5	7/8	13-1/2	15-1/2	6-17/32	6	13-1/8	N1	7-1/2	9-1/2	H1/HC1	3/8	2	46	
10104-FCS	10	10	4	1	14-1/2	14-1/2	5-3/4	6-1/2	13	N1	8-1/2	8-1/2	H1/HC1	3/8	2	40	
10106-FCS	10	10	6	1	14-1/2	14-1/2	7-3/4	6-1/2	13	N1	8-1/2	8-1/2	H1/HC1	3/8	3	50	
10108-FCS	10	10	8	1	14-1/2	14-1/2	9-3/4	6-1/2	13	N1	8-1/2	8-1/2	H1/HC1	3/8	4	57	
10144-FCS	10	14	4	1	14-1/2	18-1/2	5-7/8	10-5/8	13	N1	8	12	H1/HC1	3/8	2	60	
10146-FCS	10	14	6	1	14-1/2	18-1/2	7-7/8	10-5/8	13	N1	8	12	H1/HC1	3/8	3	68	
10148-FCS	10	14	8	1	14-1/2	18-1/2	9-7/8	10-5/8	13	N1	8	12	H1/HC1	3/8	4	75	
12124-FCS	12	12	4	1-1/8	17	17	5-55/64	8-5/8	15-3/4	N1	10	10	H1/HC1	1/2	2	70	
12126-FCS	12	12	6	1-1/8	17	17	7-55/64	8-5/8	15-3/4	N1	10	10	H1/HC1	1/2	3	77	
12126LW-FCS	12	12	6	7/8	16	16	10-3/64	8-5/8	15-3/4	N1	10	10	H1/HC1	1/2	4	58	
12128-FCS	12	12	8	1-1/8	17	17	7-5/8	8-5/8	15-3/4	N1	10	10	H1/HC1	1/2	4	87	
12184-FCS	12	18	4	1-1/8	17	23	6	14-1/8	15-3/4	N1	10	16	H2	1/2	2	102	
12186-FCS	12	18	6	1-1/8	17	23	8	14-1/8	15-3/4	N1	12	16	H2	1/2	3	116	
12188-FCS	12	18	8	1-1/8	17	23	10	14-1/8	15-3/4	N1	12	16	H2	1/2	4	120	
12205-FCS	12	20	5	1-1/8	17	25	7	14-3/8	15-3/4	N1	10	18	H2	1/2	2	111	
12244-FCS	12	24	4	1-1/8	17-1/8	29-1/8	6-3/16	18-3/4	15-3/4	N1	10	22	H2	1/2	2	126	
12246-FCS	12	24	6	1-1/8	17-1/8	29-1/8	8-3/16	18-3/4	15-3/4	N1	10	22	H2	1/2	3	142	
12248-FCS	12	24	8	1-1/8	17-1/8	29-1/8	10-3/16	18-3/4	15-3/4	N1	10	22	H2	1/2	4	154	
122410-FCS	12	24	10	1-1/8	17-1/8	29-1/8	12-3/16	18-3/4	15-3/4	N1	10	22	H2	1/2	4	165	
12306-FCS	12	30	6	1-1/8	17	35	8-1/8	23	15-3/4	N1	10	28	H2	1/2	3	177	

* Note: (H1) = Stainless Steel Modular Hinge, (HC1, H2) = Cast Aluminum Hinge; (H1/HC1 - Choose one of these when required)

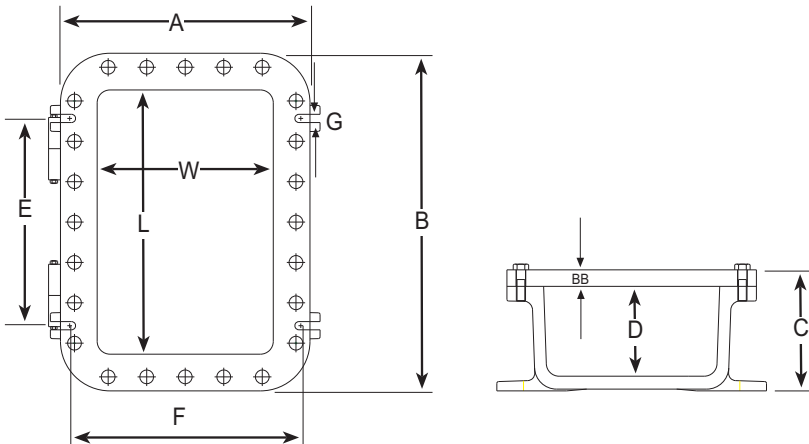
1025 Eagon Street Barberton, Ohio 44203 Ph: 330-745-8891 Fax: 330-745-2504
www.AkronElectric.Com E-Mail: Sales@AkronElectric.Com

Explosion-Proof Flat Cover Control Stations

“CXJ-FCS” Series

CATALOG NUMBER	INSIDE DIMENSIONS (INCHES)			COVER THICKNESS (INCHES)	OUTSIDE DIMENSIONS (INCHES)			MOUNTING (INCHES)		MTG. PAN	MTG. PAN DIM.		HINGE CAT. # *	LUG BOLT SIZE (IN.)	MAX. CONDUIT (INCHES)	EST. WEIGHT (LBS.)
	CXJ	W	L		D	BB	A	B	C		E	F				
12364-FCS	12	36	4	1-1/8	17	41	6-1/8	29	15-3/4	N1	10	34	3H2	1/2	2	197
12366-FCS	12	36	6	1-1/8	17	41	8-1/8	29	15-3/4	N1	10	34	3H2	1/2	3	210
12368-FCS	12	36	8	1-1/8	17	41	10-1/8	29	15-3/4	N1	10	34	3H2	1/2	4	222
12468-FCS	12	46	8	1-1/16	17-1/8	51-1/8	10-1/8	15-3/4	39	N1	10	44	3H2	1/2	4	260
14144-FCS	14	14	4	1-1/16	19-1/8	19-1/8	6	9-3/4	17-1/2	N1	12	12	H2	1/2	2	83
14146-FCS	14	14	6	1-1/16	19-1/8	19-1/8	8	9-3/4	17-3/4	N1	12	12	H2	1/2	3	94
14148-FCS	14	14	8	1-1/16	19-1/8	19-1/8	10	9-3/4	17-3/4	N1	12	12	H2	1/2	4	104
14286-FCS	14	28	6	1-1/16	19-1/8	33-1/8	8	22-1/2	17-3/4	N1	12	26	H2	1/2	3	153
16164-FCS	16	16	4	1-1/4	21-1/8	21-1/8	6-1/8	11	19-3/4	N1	14	14	H2	5/8	2	103
16166-FCS	16	16	6	1-1/4	21-1/8	21-1/8	8-1/8	11	19-3/4	N1	14	14	H2	5/8	3	120
16168-FCS	16	16	8	1-1/4	21-1/8	21-1/8	10-1/8	11	19-3/4	N1	14	14	H2	5/8	4	143
16246-FCS	16	24	6	1-1/4	21-1/8	29-1/8	8-3/16	8-3/8	19-3/4	N1	14	22	H2	5/8	3	174
16248-FCS	16	24	8	1-1/4	21-1/8	29-1/8	10-3/16	18-3/8	19-3/4	N1	14	22	H2	5/8	4	194
162410-FCS	16	24	10	1-1/4	21-1/8	29-1/8	12-3/16	18-3/8	19-3/4	N1	14	22	H2	5/8	4	212
164610-FCS	16	46	10	1-3/8	21-1/8	51-1/8	12-1/2	39	19-3/4	N1	14	44	3H2	5/8	4	370
18184-FCS	18	18	4	1-1/4	23-1/8	23-1/8	6-1/4	13	21-3/4	N1	16	16	H2	5/8	2	131
18186-FCS	18	18	6	1-1/4	23-1/8	23-1/8	8-1/4	13	21-3/4	N1	16	16	H2	5/8	3	149
18188-FCS	18	18	8	1-1/4	23-1/8	23-1/8	10-1/4	13	21-3/4	N1	16	16	H2	5/8	4	176
18246-FCS	18	24	6	1-3/8	23-1/8	29-1/8	8-3/8	18-3/8	21-3/4	N1	16	22	H2	5/8	3	193
18248-FCS	18	24	8	1-3/8	23-1/8	29-1/8	10-3/8	18-3/8	21-3/4	N1	16	22	H2	5/8	4	210
182410-FCS	18	24	10	1-3/8	23-1/8	29-1/8	12-3/8	18-3/8	21-3/4	N1	16	22	H2	5/8	4	234
18308-FCS	18	30	8	1-3/8	23-1/8	35-1/8	10-5/8	23	21-3/4	N1	16	28	H2	5/8	4	268
18368-FCS	18	36	8	1-1/2	23-1/2	41-1/2	11	30	21-3/4	N1	14	32	3H3	5/8	4	410
183610-FCS	18	36	10	1-1/2	23-1/2	41-1/2	12-15/16	29	21-3/4	N1	14	32	3H3	5/8	4	436
24248-FCS	24	24	8	1-3/8	29-1/2	29-1/2	10-13/16	18-3/8	28	N1	20	20	H3	5/8	4	306
242410-FCS	24	24	10	1-3/8	29-1/2	29-1/2	12-1/2	18-3/8	28	N1	20	20	H3	5/8	4	320
24308-FCS	24	30	8	1-3/8	29-1/8	35-1/8	10-3/8	23	28	N1	22	28	H3	5/8	4	306
24368-FCS	24	36	8	1-3/8	30	42	11-1/8	29	28	N1	22	28	3H3	5/8	4	471
243610-FCS	24	36	10	1-3/8	30	42	13-1/8	29	28	N1	20	32	3H3	5/8	4	501

NEMA 4X, 7, 9 enclosures are designed to third party specifications. These boxes carry no formal listings.
 Note: (H2, H3) = Cast Aluminum Hinge
 All Dimensions are for Reference Only - C/F for questions regarding design dimensional data



- Consult Factory if larger Mounting Pan is needed
- Mounting feet will be aligned right & left (as shown) unless otherwise specified.
- 9 x 11 x 5 Mounting Feet are top & bottom std.
- For an enclosure size not listed above or a special application, contact Akron Electric.
- All conduit runs must be sealed within 6 inches of the enclosure.
- Note: Enclosures have internal taper (draft) of 1/16" per inch of depth *(dimensions "W" and "L" are across top of base).
- Hinges and mounting pans are not included as standard.
- See pages 55-66 for ordering information, modifications and conduit working area.



Akron Drilling & Tapping Instructions Customer Design Sheet

Please fill in the appropriate fields to customize your own enclosure
FAX this form to: 330-745-2504 OR
Scan & E-mail this form to: sales@akronelectric.com

Cover Layout

Catalog Product Series: _____ (AXJ, CXJ, etc.)

Quantity of enclosures: ()

Note: For custom machining in cover,
use Center Lines as a center point for
all dimensions
(CXJ Series:
NPSM entries are 2-1/2" center to center)
(1" center to center for Mini Pilot Device Series)

Hinges:

- Stainless Steel Hinges; H1
- Cast Aluminum Hinges; HC1, H2, H3

Hinge Location:

- Left
- Right

Certification:

- UL
- UL/CSA
- CSA
- ATEX (-CEN)
- No formal certification, NEMA 7 Only

O-Ring:

- YES
- NO

Bolts:

- Stainless Steel (-N5), req'd. with N4
- S.S. Captive Quick Thread (-E3)
(Triple Lead)
- Standard

Mounting Feet:

- Right/Left
- Top/Bottom

Mounting Pan:

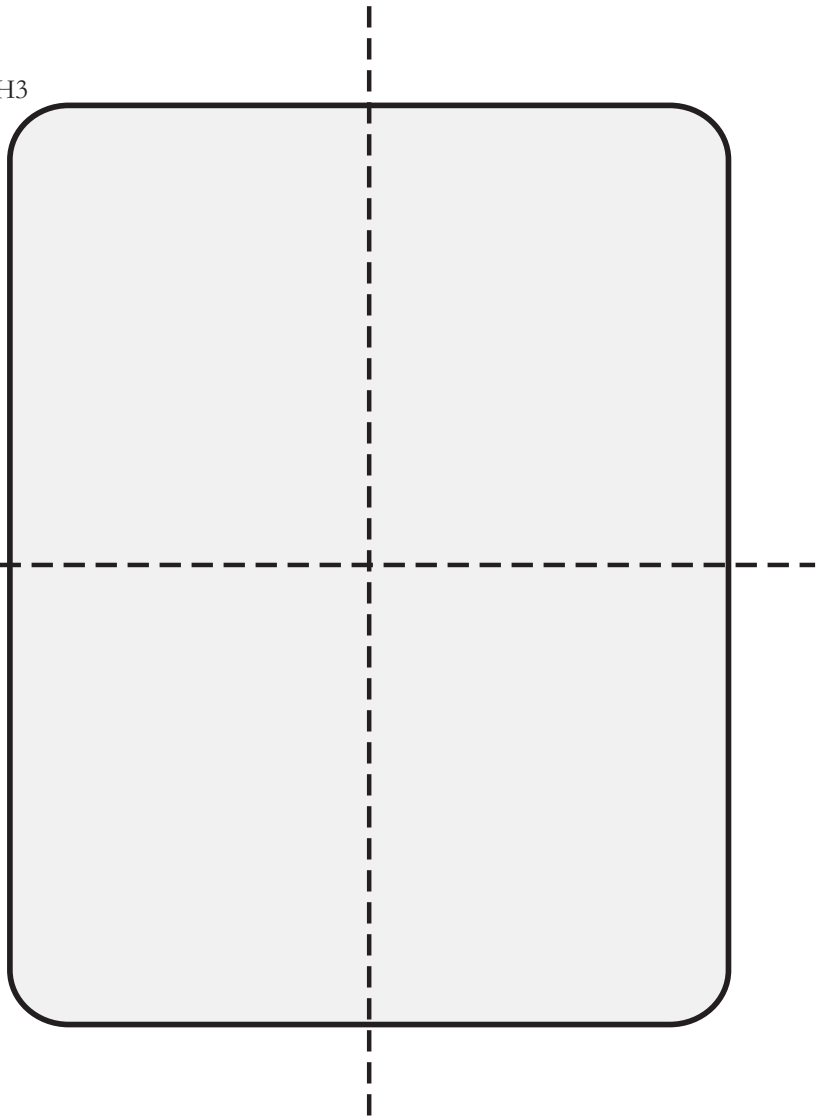
- Standard (Aluminum) (-N1)
- Galvanized (-N2)
- Phenolic (-N3)

Breather / Drain:

- Breather
- Drain
- Breather & Drain

Hinge Lift:

- HL



X
P
C
O
N
T
R
O
L
S
T
A
T
I
O
N
S

Akron Electric, Inc.

Manufacturers of Explosion-Proof Enclosures & Electrical Systems

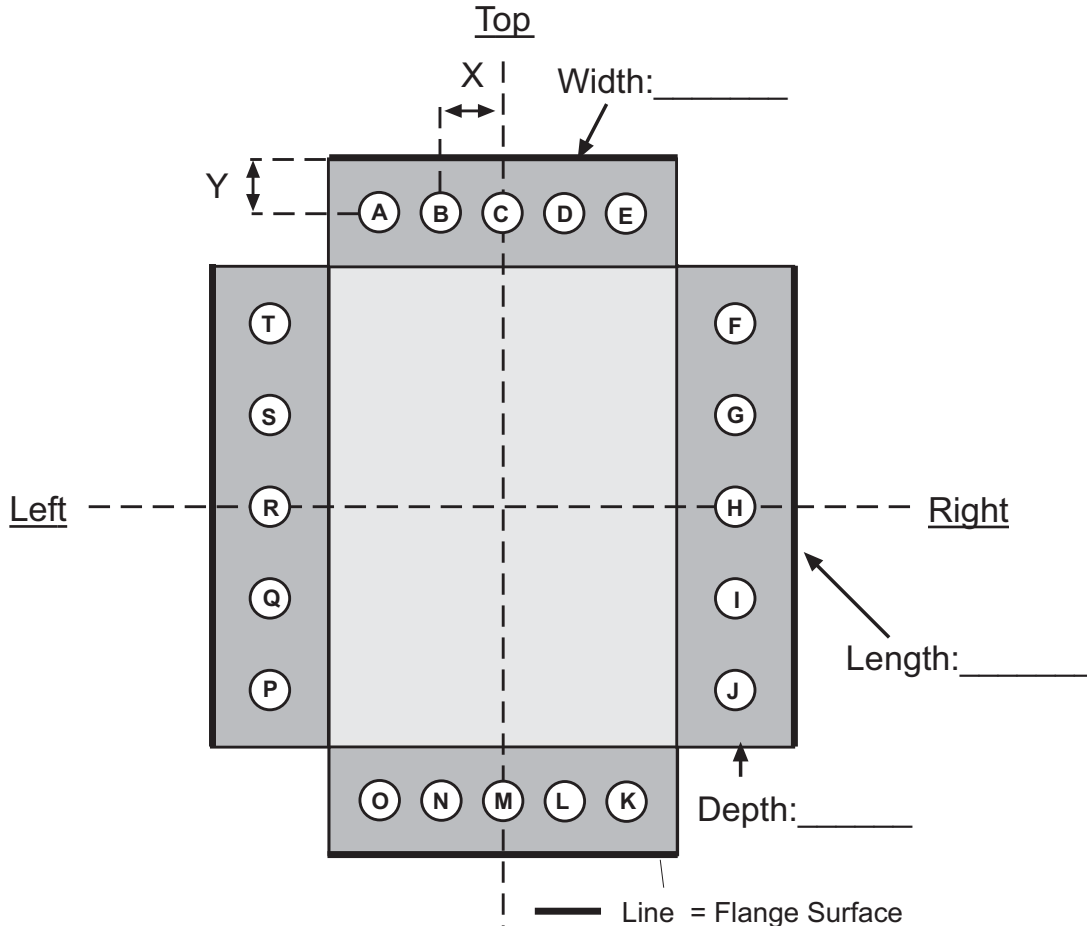
Akron Drilling & Tapping Instructions Customer Design Sheet

Please fill in the appropriate fields to customize your own enclosure
 FAX this form to: 330-745-2504 OR
 Scan & E-mail this form to: sales@akronelectric.com

Base Layout

Catalog Product Series: _____ (AXJ, CXJ, etc.)

Quantity of enclosures: (_____)



Note: X = Distance from Center Line
 Y = Distance from Top of Enclosure (Flange Surface)

Bottom

Location	NPT Description:	Size	X	Y
A				
B				
C				
D				
E				
F				
G				
H				
I				
J				
K				

Location	NPT Description:	Size	X	Y
L				
M				
N				
O				
P				
Q				
R				
S				
T				
Breather		1/2" NPT		
Drain		1/2" NPT		



Explosion-Proof Control Station Ordering Information

ORDERING INSTRUCTIONS:

- 1) Choose enclosure size
- 2) Choose modifications from Table III
- 3) Select the letter to specify the location of the conduit opening from Table II (Below).
- 4) Choose the outlet code number to indicate the size of desired conduit from Table IV.
- 5) Add all modifications from Table III to the end of the Control Station catalog number.
- 6) List the conduit size & location on separate line from catalog number & modifications

EXAMPLE: CXJ 12186 - H2 - N1 - N4 - G3 - 5N6

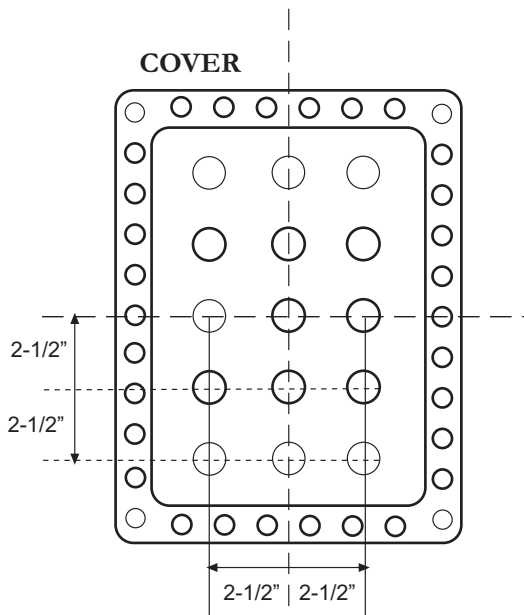
- (2) XPBS-FBA, (3) XPLSB-120R, (1) 1/2" NPT (2) 3/4" NPT,
(5) 3/4" NPSM, (1) 1" NPT
(C1 - H3 - M2 - R2)

Example includes:

- Medium-Duty cast Hinge (H2)
Mounting Pan (N1)
NEMA 4 O-Ring gasket (N4)
(1) 3" diameter round window (G3)
(2) Black Push Button with N.O. Contact
(3) Red Pilot Lights (120V)
(5) Metallic nameplates (specify legend)
(1) 1/2" NPT
(1) 1" NPT
(2) 3/4" NPT
(5) 3/4" NPSM Operator Holes

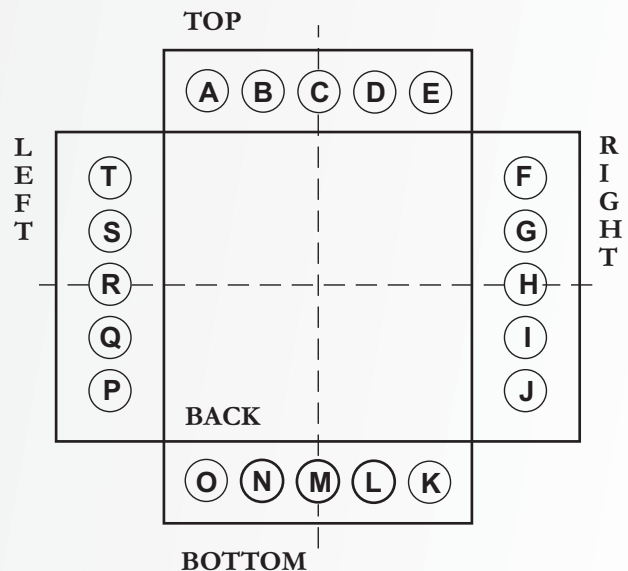
All Operator Holes are tapped 3/4"-14 NPSM; Mini Operator Holes are tapped 3/8"-16 NPSM with 1" C-C
A minimum of 2-1/2" between centers of operator holes is required to maintain UL & CSA Standards Certifications
When operators are cover mounted, hinges should be used to avoid damage to wiring when opening cover
Consult Factory or attach layout sheet for combination of windows and operators
Consult Factory for any custom layouts or custom windows

TABLE I - COVER LAYOUT



Enclosure Sizes CXJ 664 through CXJ 38388

TABLE II - CONDUIT LOCATIONS



Explosion-Proof Control Station Ordering Information

TABLE III - OPTIONAL MODIFICATIONS

BD=Breather or Drain with 1/2" NPT (please specify)
 2BD=Breather & Drain
 C1= Circuit Breaker Handle, 100 AMP - installed
 C2= Circuit Breaker Handle, 225 AMP - installed
 C4= Circuit Breaker Handle, 600 AMP - installed
 C5= Circuit Breaker Handle, 800 AMP - installed
 C8= Circuit Breaker Handle, Custom - installed
 C10= Panel Board Breaker Handle
 CEN= Cenelec (ATEX) Option
 E1= Corrosion-Resistant Epoxy Paint (Outside only)
 E2= Corrosion-Resistant Epoxy Paint (Inside & Outside)
 E3= Stainless Steel (316) Triple Lead Captive Quick Thread Cover Bolts
 E4= Stainless Steel Mounting Hardware (Internal Hardware)
 E5= Corrosion-Resistant Epoxy Paint (Inside Only)
 E8= Custom Mounting Bracket (For meter, etc.)
 E9= Clear Anodizing
 G1= 1" Diameter Round Window Glass (Installed)
 G2= 2" Diameter Round Window Glass (Installed)
 G3= 3" Diameter Round Window Glass (Installed)
 G4= 4" Diameter Round Window Glass (Installed)
 G5= 5-1/4" Diameter Round Window Glass (Installed)
 G6= 6-3/4" Diameter Round Window Glass (Installed)
 G7= 7-5/8" Diameter Round Window Glass (Installed)
 G8= Custom Square or Rectangular Window Glass (Installed / Specify)
 H1= Stainless Steel Hinge Kit (for AXJ12126 and smaller)
 HC1= Aluminum Cast Hinge Kit (for AXJ12126 and smaller)
 H2= Medium Duty Cast Aluminum Hinge Kit (for CXJ12184 to CXJ18308)
 H3= Heavy Duty Cast Aluminum Hinge Kit (for CXJ18368 to CXJ346810)

HL*= Hinge Lifter Guide Pin
 K+= Terminal Block (Specify Qty.)
 MS= Standard XJIH Mounting Strap
 MSR= Raised XJIH Mounting Strap
 MSD= Diamond Shaped XJIH Mounting Strap
 N1= Aluminum Mounting Panel
 N2= Galvanized Mounting Panel
 N3= Phenolic Mounting Panel
 N4= NEMA 4 O-ring Gasket
 N5= Stainless Steel Rust Proof Cover Bolts
 N6= Metallic Legend Plates
 JN6= Jumbo Metallic Legend Plates
 MN6= Mini Metallic Legend Plates
 N7= Phenolic Legend Plates
 N8= Custom Legend Plates
 R3 = 3/4" NPSM Close-Up Plug
 RP1= 1/2" NPT Conduit Entry Close-Up Plug
 RP2= 3/4" NPT Conduit Entry Close-Up Plug
 RP3= 1" NPT Conduit Entry Close-Up Plug
 RP4= 1-1/4" NPT Conduit Entry Close-Up Plug
 RP5= 1-1/2" NPT Conduit Entry Close-Up Plug
 RP6= 2" NPT Conduit Entry Close-Up Plug
 RP7= 2-1/2" NPT Conduit Entry Close-Up Plug
 RP8= 3" NPT Conduit Entry Close-Up Plug
 RP9= 3-1/2" NPT Conduit Entry Close-Up Plug
 RP10= 4" NPT Conduit Entry Close-Up Plug

* - HL is suggested for enclosures with 30" of length, or when hinges are installed on the short side of the enclosure.

TABLE IV - CONDUIT SPACING

Outlet Code		MINIMUM CENTER TO CENTER CONDUIT SEPARATIONS INCHES (mm)									
		4 (M90)	3-1/2 (M85)	3 (M80)	2-1/2 (M75)	2 (M63)	1-1/2 (M50)	1-1/4 (M40)	1 (M32)	3/4 (M25)	1/2 (M20)
1	1/2	3-5/8 (92.08)	3-3/8 (85.73)	3 (76.2)	2-5/8 (66.68)	2-3/8 (60.33)	2 (50.8)	2 (50.8)	1-3/4 (44.45)	1-5/8 (41.28)	1-1/2 (38.1)
2	3/4	3-3/4 (95.25)	3-1/2 (88.9)	3-1/8 (79.38)	2-3/4 (69.85)	2-1/2 (63.5)	2-1/8 (53.98)	2-1/8 (53.98)	1-7/8 (47.63)	1-3/4 (44.45)	
3	1	4 (101.6)	3-5/8 (92.08)	3-1/4 (82.55)	3 (76.2)	2-5/8 (66.68)	2-3/8 (60.33)	2-3/8 (60.33)	2 (50.8)		
4	1-1/4	4-1/4 (107.95)	4 (101.6)	3-5/8 (92.08)	3-1/4 (82.55)	3 (76.2)	2-5/8 (66.68)	2-5/8 (66.68)			
5	1-1/2	4-1/4 (107.95)	4 (101.6)	3-5/8 (92.08)	3-1/4 (82.55)	3 (76.2)	2-5/8 (66.68)				
6	2	4-5/8 (117.48)	4-1/4 (107.95)	3-7/8 (98.43)	3-5/8 (92.08)	3-1/4 (82.55)					
7	2-1/2	4-7/8 (123.83)	4-5/8 (117.48)	4-1/4 (107.95)	3-7/8 (98.43)						
8	3	5-3/8 (136.53)	5 (127)	4-5/8 (117.48)							
9	3-1/2	5-5/8 (142.88)	5-1/4 (133.35)								
10	4	5-7/8 (149.23)									

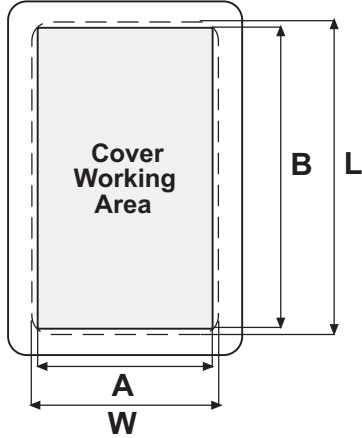
* If seals are used, extra clearance may be required. Check dimensions of seals and fittings to determine required spacing. Consult factory for assistance.

Size	Pitch	Trade Size of Conduit (NPT)	Threads Per Inches	Minimum Wall Thickness (Inches)
M50	1.5, 2	1/2 - 3/4	14	.357
M80	2	1 - 2	11-1/2	.435
M90	2	2-1/2 - 4	8	.625



Explosion-Proof Control Station Ordering Information

CXJ SERIES COVER DATA / COVER WORKING AREAS



- NOTES:**
1. All openings in cover must be within the working area.
 2. Maximum number of operators is based on 2-1/2" inch center to center.
 3. All dimensions are in inches.

Cover Size	Nominal Dimensions		Cover Working Area		Max. Qty. Operators		Cover Thickness
	W	L	A	B	Col.	Row.	
416	4	16	2-1/2	14-1/2	1	6	5/8
66	6	6	4-1/2	4-1/2	2	2	1/2
68	6	8	4	6	2	2	5/8
610	6	10	4	8	2	3	9/16
611	6	11	4	9	2	3	5/8
612	6	12	4	10	2	4	5/8
613	6	13	4	11	2	4	5/8
616	6	16	4	14	2	5	21/32
618	6	18	4	16	2	6	21/32
648	6	48	3	39	1	15	5/8
710	7	10	5	8	2	3	21/32
718	7	18	5	16	2	6	21/32
88	8	8	6	6	2	2	21/32
810	8	10	6	8	2	3	21/32
812	8	12	6	10	2	4	21/32
911	9	11	7	9	3	3	21/32
1010	10	10	8	8	3	3	3/4
1014	10	14	7-1/2	11-1/2	3	4	7/8
1212	12	12	9-1/2	9-1/2	4	4	13/16
1218	12	18	9-1/2	15-1/2	4	6	7/8
1220	12	20	9-1/2	17-1/2	4	6	7/8
1224	12	24	9	21	4	8	1
1230	12	30	9	27	4	11	15/16
1236	12	36	9	33	4	13	15/16
1246	12	46	9	43	4	17	15/16
1414	14	14	11	11	4	4	7/8
1428	14	28	11	25	4	10	7/8
1616	16	16	13	13	5	5	15/16
1618	16	18	15	17	6	6	1-1/16
1624	16	24	12-1/2	20-1/2	5	7	1-1/16
1646	16	46	13	43	5	17	1-1/8
1818	18	18	14-1/2	14-1/2	5	5	1
1824	18	24	14-1/2	20-1/2	5	7	1-1/16
1830	18	30	14-1/2	26-1/2	6	10	1-1/16
1836	18	36	15	33	5	13	1-7/16
2424	24	24	21	21	8	8	1-1/8
2430	24	30	20-1/2	26-1/2	8	10	1-1/16
2436	24	36	20-1/2	32-1/2	8	13	1-9/16
3236	32	36	28-1/2	32-1/2	11	13	1-3/8
3468	34	68	30	64	12	25	1-1/16
3838	38	38	34	34	13	13	2

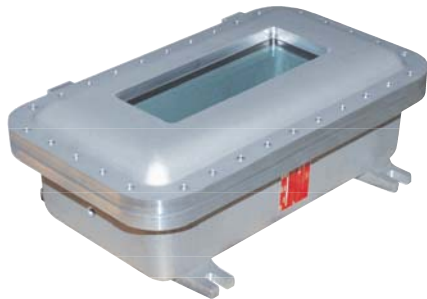
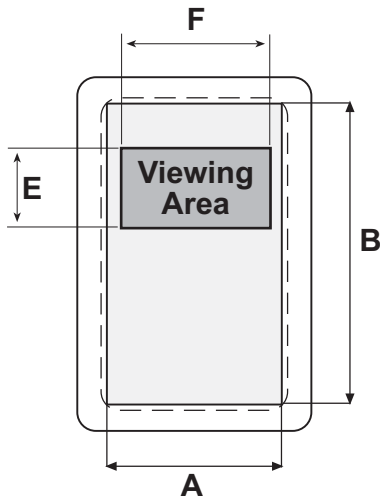
Cover Size	Nominal Dimensions		Cover Working Area		Max. Qty. Operators		Cover Thickness
	W	L	A	B	Col.	Row.	
416-FCS	4	16	3	15	1	6	7/8
66-FCS	6	6	5	5	2	2	3/4
68-FCS	6	8	5	7	2	3	7/8
610-FCS	6	10	5	9	2	4	7/8
611-FCS	6	11	5	10	2	4	7/8
612-FCS	6	12	5	11	2	4	7/8
613-FCS	6	13	5	12	2	5	7/8
616-FCS	6	16	5	15	2	6	7/8
618-FCS	6	18	5	17	2	7	7/8
648-FCS	6	48	5	47	2	19	7/8
710-FCS	7	10	6	9	2	4	7/8
718-FCS	7	18	6	17	2	7	7/8
88-FCS	8	8	7	7	3	3	7/8
810-FCS	8	10	7	9	3	4	7/8
812-FCS	8	12	7	11	3	4	7/8
911-FCS	9	11	8	10	3	4	7/8
1010-FCS	10	10	9	9	3	4	1
1014-FCS	10	14	9	13	3	5	1
1212-FCS	12	12	11	11	4	4	1-1/8
1218-FCS	12	18	11	17	4	7	1-1/8
1220-FCS	12	20	11	19	4	8	1-1/8
1224-FCS	12	24	11	23	4	9	1-1/8
1230-FCS	12	30	11	29	4	12	1-1/8
1236-FCS	12	36	11	35	4	14	1-1/8
1246-FCS	12	46	11	45	4	18	1-1/16
1414-FCS	14	14	13	13	5	5	1-1/16
1428-FCS	14	28	13	27	5	11	1-1/16
1616-FCS	16	16	15	15	6	6	1-1/4
1624-FCS	16	24	15	23	6	9	1-1/4
1646-FCS	16	46	15	45	6	18	1-3/8
1818-FCS	18	18	17	17	7	7	1-1/4
1824-FCS	18	24	17	23	7	9	1-3/8
1830-FCS	18	30	17	29	7	12	1-3/8
1836-FCS	18	36	17	35	7	14	1-1/2
2424-FCS	24	24	23	23	9	9	1-3/8
2430-FCS	24	30	23	29	9	12	1-3/8
2436-FCS	24	36	23	35	9	14	1-3/8

X P CONTROL STATIONS

Explosion-Proof Control Station Ordering Information

X
P
C
O
N
T
R
O
L
S
T
A
T
I
O
N
S

EXPLOSION-PROOF SQUARE WINDOWS / GLASS COVER - SERIES DATA



Catalog #	Viewing Area		Minimum Cover Working Area Req'd.	
	E	F	A	B
G8 (1 x 3)	1" x 3"		2-3/16" x 4-12"	
G8 (2 x 4)	2" x 4"		3-3/16" x 5-1/2"	
G8 (2 x 7)	2" x 7"		3-3/16" x 8-1/2"	
G8 (3 x 6)	3" x 6"		5-5/16" x 8-5/16"	
G8 (4 x 4)	4" x 4"		6-5/16" x 6-5/16"	
G8 (4 x 8)	4" x 8"		6-5/16" x 10-5/16"	
G8 (5 x 10)	5" x 10"		7-13/16" x 12-13/16"	
G8 (6 x 6)	6" x 6"		8-15/16" x 8-15/16"	
G8 (6 x 12)	6" x 12"		9-15/16" x 15-5/16"	
G8 (8 x 8)	8" x 8"		12-5/16" x 12-5/16"	
G8 (10 x 10)	10" x 10"		14-5/16" x 14-5/16"	

Specifications:

UL / cUL Rated - File No. E-139669

10 Standard Window Sizes

Consult Factory for custom window sizes

Round, Square, Rectangular combinations permitted

All openings in cover must be within the working area

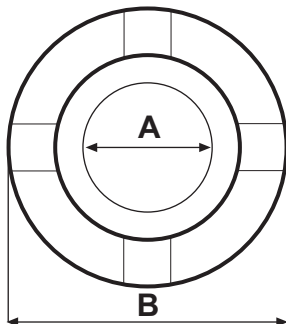
All dimensions are in inches

Applications:

Provides protection against explosion in Hazardous Locations

Allows viewing of internal meters or operating components

EXPLOSION-PROOF ROUND WINDOWS / GLASS COVER - SERIES DATA



Catalog #	Viewing Diam. "A"	Overall Dim. "B"	Thread
G1	1"	2-7/8"	2-1/2 - 16
G2	2"	4"	3-5/8 - 12
G3	3"	5-3/16"	4-3/4 - 12
G4	4"	6-3/8"	5-3/4 - 12
G5	5-1/4"	7-7/8"	7-1/8 - 12
G6	6-3/4"	10-3/8"	9-1/8 - 12
G7	7-5/8"	11-3/8"	10-1/8 - 12



Explosion-Proof Control Station Mounting Pans & Hinges

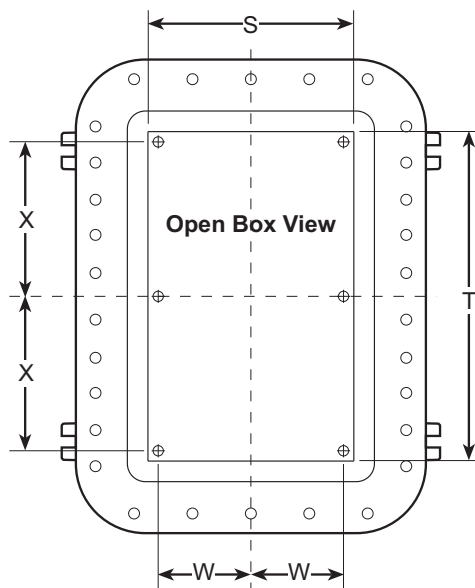
CXJ & CXJ-FCS

Mounting Pan Dimensions / Specifications

Box Inside Dimension		Mounting Pan Dimension		Mounting Boss Dimension		Number of Bosses	Hinge Type	Box Inside Dimension		Mounting Pan Dimension		Mounting Boss Dimension		Number of Bosses	Hinge Type
W	L	S	T	W	X			W	L	S	T	W	X		
4	16	3	15	---	---	0	H1/HC1	12	20	10	18	4-1/2	8-1/2	4	H2
6	6	5	5	1-3/4	1-3/4	4	H1/HC1	12	24	10	22	4-1/2	10-1/2	4	H2
6	8	5	7	1-3/4	2-3/4	4	H1/HC1	12	30	10	28	4-1/2	13-1/2	6	H2
6	10	5	9	1-1/2	3-1/2	4	H1/HC1	12	36	10	34	4	16	6	*H2
6	11	5	10	1-1/2	4-1/2	4	H1/HC1	12	46	10	44	4	21	6	*H2
6	12	5	11	1-1/2	4-1/2	4	H1/HC1	14	14	12	12	5-1/2	5-1/2	4	H2
6	13	5	12	1-1/2	5	4	H1/HC1	14	28	12	26	5	12	6	H2
6	16	5	15	1-1/2	6-1/2	4	H1/HC1	16	16	14	14	6-1/2	6-1/2	4	H2
6	18	5	17	1-1/2	6-1/2	4	H1/HC1	16	18	15	16	7	7-4/25	4	H2
6	48	5	46	---	20	4	*H1/HC1	16	24	14	22	6-1/2	10	4	H2
7	10	6	9	2	3-1/2	4	H1/HC1	16	46	14	44	6	21	6	*H2
7	18	6	17	2-1/2	6-1/2	4	H1/HC1	18	18	16	16	7	7	4	H2
8	8	6-1/2	6-1/2	2-1/2	2-1/2	4	H1/HC1	18	24	16	22	7-1/2	10	6	H2
8	10	6-1/4	8-1/4	2-1/2	3-1/2	4	H1/HC1	18	30	16	28	7	13	6	H2
8	12	6-1/2	10-1/2	2-1/2	4-1/2	4	H1/HC1	18	36	14	32	6	14-1/2	6	*H3
9	11	7-1/2	9-1/2	3	4	4	H1/HC1	24	24	20	20	9	9	6	H3
10	10	8-1/2	8-1/2	3-1/2	3-1/2	4	H1/HC1	24	30	22	28	10	13	6	H3
10	14	8	12	3-3/8	5-5/16	4	H1/HC1	24	36	20	32	8-1/2	14-1/2	6	*H3
12	12	10	10	4-1/2	4-1/2	4	H1/HC1	32	36	30	34	14	16	6	*H3
12	12LW	10	10	4-1/2	4-1/2	0	H1/HC1	34	68	32	66	---	---	0	*H3
12	18	10	16	4-1/2	7-1/2	4	H2	38	38	36	36	---	---	0	*H3

* Additional hinges are required for enclosures with lengths (L) of 36 inches or longer.
 Note: Non-Removable Hinges are mounted on left side as standard (unless specified).

Note: All dimensions are for reference only
 Note: C/F If larger Mounting Pan Required
 Note: Mounting Bosses are 1/8" standard height. This dimension is not a part of dimension "D" - depth of enclosure base.



Explosion-Proof Control Station Mounting Pans & Hinges

Control Station Hinge Kit Nomenclatures

Enclosure Size	Hinge
4164	H1/HC1
664	H1/HC1
684	H1/HC1
685	H1/HC1
686	H1/HC1
6104	H1/HC1
6115	H1/HC1
6124	H1/HC1
6126	H1/HC1
6135	H1/HC1
6164	H1/HC1
6186	H1/HC1
6485	3H1/3HC1
7104	H1/HC1
7106	H1/HC1
7185	H1/HC1
884	H1/HC1
886	H1/HC1
888	H1/HC1
8104	H1/HC1
8106	H1/HC1
8108	H1/HC1
8124	H1/HC1
8126	H1/HC1
8128	H1/HC1
9115	H1/HC1
10104	H1/HC1
10106	H1/HC1
10108	H1/HC1
10144	H1/HC1
10146	H1/HC1
10148	H1/HC1
12124	H1/HC1
12126	H1/HC1
12126LW	H1/HC1
12128	H1/HC1
12184	H2
12186	H2
12188	H2
12205	H2
12244	H2
12246	H2
12248	H2
122410	H2
12306	H2
12364	3H2

Enclosure Size	Hinge
12366	3H2
12368	3H2
12468	3H2
14144	H2
14146	H2
14148	H2
14286	H2
16164	H2
16166	H2
16168	H2
161812	H2
16246	H2
16248	H2
162410	H2
164610	3H2
18184	H2
18186	H2
18188	H2
18246	H2
18248	H2
182410	H2
182412	H2
18308	H2
18368	3H3
183610	3H3
24248	H3
242410	H3
24308	H3
24368	3H3
243610	3H3
323612	3H3
346810	4H3
38388	3H3
383816	3H3



H1



H2/H3

Note: (H1) = Stainless Steel Modular Hinge
(HC1, H2 & H3) = Cast Aluminum Hinge



Explosion-Proof Control Station Conduit Working Area

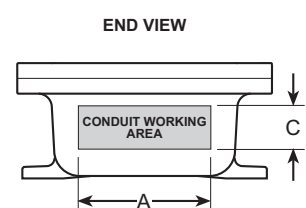
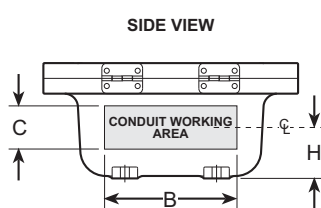
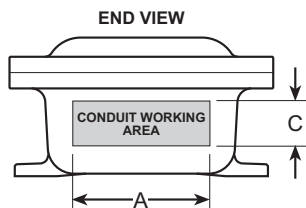
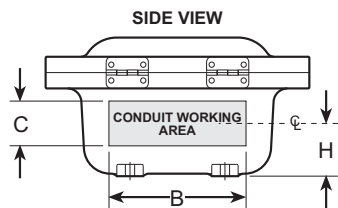
CXJ & CXJ-FCS

ENCLOSURE CATALOG NUMBER CXJ	SHORT SIDE		LONG SIDE		CL OF WORKING AREA H	ENCLOSURE CATALOG NUMBER CXJ	SHORT SIDE		LONG SIDE		CL OF WORKING AREA H
	WIDTH A	DEPTH C	LENGTH B	DEPTH C			WIDTH A	DEPTH C	LENGTH B	DEPTH C	
4164	2-1/2	2-1/8	14-1/2	2-1/8	2-1/2	12244	10	1-5/8	22	1-5/8	2-3/4
664	4-3/4	2-3/8	4-3/4	2-3/8	2-1/4	12246	9-13/16	3-5/8	21-13/16	3-5/8	3-3/4
684	4-3/4	2-1/4	6-3/4	2-1/4	2-3/8	12248	9-11/16	5-5/8	21-11/16	5-5/8	4-3/4
685	4-1/2	3-1/4	6-1/2	3-1/4	2-7/8	122410	9-9/16	7-5/8	21-9/16	7-5/8	5-3/4
686	4-1/2	4-1/4	6-1/2	4-1/4	3-3/8	12306	9-13/16	3-5/8	27-13/16	3-5/8	3-3/4
6104	4-3/4	2-3/8	8-3/4	2-3/8	2-3/8	12364	8-1/2	1-1/4	32-1/2	1-1/4	2-7/8
6115	4-5/16	3-1/8	9-5/16	3-1/8	3-7/8	12366	8-5/16	3-1/4	32-5/16	3-1/4	3-7/8
6124	4-1/2	2-1/8	10-1/2	2-1/8	2-3/8	12368	8-3/16	5-1/4	32-3/16	5-1/4	4-7/8
6126	4-5/16	4-1/8	10-5/16	4-1/8	3-3/8	12468	8-3/16	5-1/4	42-3/16	5-1/4	4-7/8
6135	4-5/16	3-1/8	11-5/16	3-1/8	2-7/8	14144	12	1-5/8	12	1-5/8	2-3/4
6164	4-3/4	2-1/8	14-3/4	2-1/8	2-1/2	14146	11-13/16	3-5/8	11-13/16	3-5/8	3-3/4
6186	4-9/16	4-1/8	16-9/16	4-1/8	3-1/2	14148	11-11/16	5-5/8	11-11/16	5-5/8	4-3/4
6485	4-1/2	3-1/8	46-1/2	3-1/8	3-5/8	14286	10-5/16	3-1/4	24-5/16	3-1/4	3-7/8
7104	5-1/2	2-1/8	8-1/2	2-1/8	2-1/2	16164	14	1-1/2	14	1-1/2	2-3/4
7106	5-5/16	4-1/8	8-5/16	4-1/8	3-1/2	16166	13-13/16	3-1/2	13-13/16	3-1/2	3-3/4
7185	5-7/16	3-1/8	16-7/16	3-1/8	3	16168	13-11/16	5-1/2	13-11/16	5-1/2	4-3/4
884	6-1/2	2-1/8	6-1/2	2-1/8	2-1/2	161812	13-7/16	9-3/8	15-7/16	9-3/8	7-3/8
886	6-5/16	4-1/8	6-5/16	4-1/8	3-1/2	16246	13-13/16	3-1/2	21-13/16	3-1/2	3-5/8
888	6-3/16	6-1/8	6-3/16	6-1/8	4-1/2	16248	13-11/16	5-1/2	21-11/16	5-1/2	4-5/8
8104	6-1/2	2-1/8	8-1/2	2-1/8	2-1/2	162410	13-9/16	7-3/8	21-9/16	7-3/8	5-3/4
8106	6-5/16	4-1/8	8-5/16	4-1/8	3-1/2	164610	12-1/16	7	42-1/16	7	6
8108	6-3/16	6-1/8	8-3/16	6-1/8	4-1/2	18184	15-3/4	1-3/8	15-3/4	1-3/8	2-3/4
8124	6-1/2	2-1/8	10-1/2	2-1/8	2-1/2	18186	15-9/16	3-3/8	15-9/16	3-3/8	3-3/4
8126	6-5/16	4-1/8	10-5/16	4-1/8	3-1/2	18188	15-7/16	5-3/8	15-7/16	5-3/8	5-1/8
8128	6-3/16	6-1/8	10-3/16	6-1/8	4-3/8	18246	15-9/16	3-1/4	21-9/16	3-1/4	3-3/4
9115	7-5/16	3-1/8	9-5/16	3-1/8	3	18248	15-7/16	5-1/4	21-7/16	5-1/4	4-3/4
10104	8-1/2	2	8-1/2	2	2-1/2	182410	15-5/16	7-1/4	21-5/16	7-1/4	5-3/4
10106	8-5/16	4	8-5/16	4	3-1/2	182412	15-7/16	9-3/8	21-7/16	9-3/8	7-3/8
10108	8-3/16	6	8-3/16	6	4-1/2	18308	15-7/16	5-1/4	27-7/16	5-1/4	4-3/4
10144	8	1-3/4	12	1-3/4	2-5/8	18368	14-3/16	3-5/8	32-3/16	3-5/8	5-3/8
10146	7-13/16	3-3/4	11-13/16	3-3/4	3-5/8	183610	14-1/16	6-1/2	32-1/16	6-1/2	6-1/4
10148	7-11/16	5-3/4	11-11/16	5-3/4	4-5/8	24248	21-15/16	5	21-15/16	5	5-1/2
12124	10	1-5/8	10	1-5/8	2-5/8	242410	21-13/16	6-5/8	21-13/16	6-5/8	6-1/4
12126	9-13/16	3-5/8	9-13/16	3-5/8	3-5/8	24308	21-7/16	5-1/4	27-7/16	5-1/4	4-3/4
12126LW	10-1/4	4-1/4	10-1/4	4-1/4	3-3/4	24368	21-15/16	3	33-15/16	3	5-3/4
12128	9-11/16	5-5/8	9-11/16	5-5/8	4-13/16	243610	21-13/16	5-5/8	33-13/16	5-5/8	6-3/8
12184	10	1-5/8	16	1-5/8	2-5/8	323612	29	2-3/4	33	2-3/4	4-3/4
12186	9-13/16	3-5/8	15-13/16	3-5/8	3-5/8	346810	21-9/16	2-1/8	55-9/16	2-1/8	4-7/8
12188	9-11/16	5-5/8	15-11/16	5-5/8	4-5/8	38388	22	5-1/8	22	5-1/8	7-1/2
12205	9-13/16	2-5/8	17-13/16	2-5/8	3-1/8	383816	22	5-1/8	22	5-1/8	7-1/2

Note: All dimensions are for reference only - C/F for questions regarding design dimensional data

CXJ

CXJ-FCS



Akron Drilling & Tapping Instructions

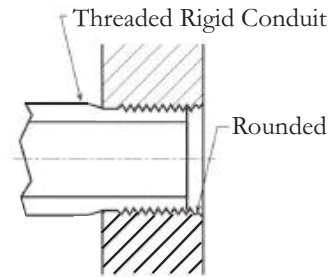
INSTRUCTIONS FOR DRILLING AND TAPPING OF CONDUIT AND OPERATOR OPENINGS FOR USE IN CLASSIFIED ENCLOSURES PLACED IN HAZARDOUS LOCATIONS

TO COMPLY WITH REQUIREMENTS FOR DRILLING AND TAPPING OF **CXJ, CXI, CXP** SERIES
CONTROL ENCLOSURES, THESE INSTRUCTIONS MUST BE FOLLOWED:

A.) CONDUIT OPENINGS

- 1.) All conduit openings must have minimum of (5) full NPT threads. Minimum size 1/2" NPT is allowed.
- 2.) For through the wall threaded conduit openings, the following options are available:
 - A.) The inner end shall be smooth and well rounded as shown in figure (1).
 - B.) If the inner end of conduit can not be well rounded, then the wall thickness should not be less than minimum and more than maximum noted in TABLE (I).
If the wall thickness exceeds the maximum shown:
 - I.) Counterbore the wall 1/8" larger than outside conduit diameter to meet the value in TABLE (I). or,
 - II.) Drill and tap the next larger NPT thread size and install a UL listed reducer bushing. When using a reducer, use the dimension and spacing applicable to the external thread size of the reducer, NOT the conduit.
- 3.) TABLE (II) provides the minimum spacing between conduit centers for any combination of conduit sizes and provides clearance for required conduit bushing on protruding end of conduit inside the box. The spacing in TABLE II may not be sufficient if conduit seal, union or other fittings are used. Check dimensions of seals and fittings to determine the required spacing.
- 4.) Tapping depth of NPT thread gage must be plus 1/2 turn minimum to +3-1/2 turn maximum of standard plug gage.
- 5.) All conduit and operator openings must be located within the flat areas shown on TABLE (III).

Conduit Opening Without Conduit Stop



B.) OPERATOR OPENINGS

Field drilling and tapping for installation of operators are allowed if the following requirements are met:

- 1.) Drill and tap for 3/4-14 NPSM threads only. There must be minimum of five (5) full threads for Groups C & D and seven (7) full threads for Group B application.
- 2.) Use TABLE (III) for the maximum number of openings based on 2-1/2" center to center.
- 3.) Use only UL listed/recognized devices with proper rating as indicated on the enclosure nameplate (class, group, etc.), in all the tapped holes.
- 4.) For watertight (Type 4) rated enclosures, be sure to use watertight operators.

Table I

TRADE SIZE OF CONDUIT (NPT)	THREADS PER INCH	ALLOWABLE WALL THICKNESS AT CONDUIT OPENINGS		MAXIMUM NUMBER OF CONDUIT THREADS
		MINIMUM (Inches)	MAXIMUM	
1/2 - 3/4	14	3/8	7/16	6
1 - 1-1/4	11-1/2	7/16	1/2	6
1-1/2 - 2	11-1/2	7/16	9/16	7
2-1/2	8	5/8	7/8	7
3 - 3-1/2	8	5/8	1	8
4	8	5/8	1-1/8	9

WARNING:

The information and instructions in this bulletin are based on information and data which we believe to be accurate and reliable. Since the method of application and the conditions under which our products are put to use are beyond our control, we are not able to guarantee the application and/or use of same. The user assumes all risk and liability in connection with the application and use of our products.

Table II

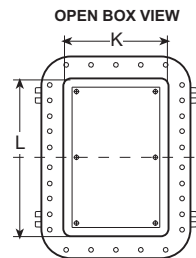
Outlet Code		MINIMUM CENTER TO CENTER CONDUIT SEPARATIONS INCHES (mm)									
		4 (M90)	3-1/2 (M85)	3 (M80)	2-1/2 (M75)	2 (M63)	1-1/2 (M50)	1-1/4 (M40)	1 (M32)	3/4 (M25)	1/2 (M20)
1	1/2	3-5/8 (92.08)	3-3/8 (85.73)	3 (76.2)	2-5/8 (66.68)	2-3/8 (60.33)	2 (50.8)	2 (50.8)	1-3/4 (44.45)	1-5/8 (41.28)	1-1/2 (38.1)
2	3/4	3-3/4 (95.25)	3-1/2 (88.9)	3-1/8 (79.38)	2-3/4 (69.85)	2-1/2 (63.5)	2-1/8 (53.98)	2-1/8 (53.98)	1-7/8 (47.63)	1-3/4 (44.45)	
3	1	4 (101.6)	3-5/8 (92.08)	3-1/4 (82.55)	3 (76.2)	2-5/8 (66.68)	2-3/8 (60.33)	2-3/8 (60.33)	2 (50.8)		
4	1-1/4	4-1/4 (107.95)	4 (101.6)	3-5/8 (92.08)	3-1/4 (82.55)	3 (76.2)	2-5/8 (66.68)	2-5/8 (66.68)			
5	1-1/2	4-1/4 (107.95)	4 (101.6)	3-5/8 (92.08)	3-1/4 (82.55)	3 (76.2)	2-5/8 (66.68)				
6	2	4-5/8 (117.48)	4-1/4 (107.95)	3-7/8 (98.43)	3-5/8 (92.08)	3-1/4 (82.55)					
7	2-1/2	4-7/8 (123.83)	4-5/8 (117.48)	4-1/4 (107.95)	3-7/8 (98.43)						
8	3	5-3/8 (136.53)	5 (127)	4-5/8 (117.48)							
9	3-1/2	5-5/8 (142.88)	5-1/4 (133.35)								
10	4	5-7/8 (149.23)									



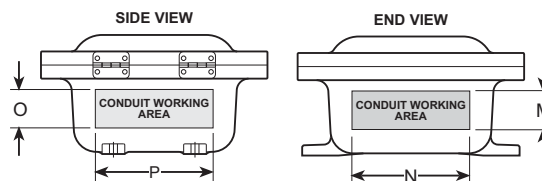
Akron Drilling & Tapping Instructions

Table III.1

CATALOG NUMBER		COVER AREA		SHORT SIDE (INCHES)		LONG SIDE (INCHES)		MAXIMUM CONDUIT (INCHES)
		K	L	M	N	O	P	
CXJ	4x16x4	2-1/2	14-1/2	2	2-1/2	2	14-1/2	3
CXJ	6x6x4	4-1/2	4-1/2	2	5	2	5	3
CXJ	6x8x4	4	6	2	5	2	7	3
CXJ	6x8x5	4	6	3	5	3	7	3
CXJ	6x8x6	4	6	4	5	4	7	4
CXJ	6x10x4	4	8	2	5	2	9	3
CXJ	6x11x5	4	9	3	4-1/2	3	9-1/2	3
CXJ	6x12x4	4	10	2	4-1/2	2	10-1/2	3
CXJ	6x12x6	4	10	4	4-1/2	4	10-1/2	4
CXJ	6x13x5	4	11	3	4-1/2	3	11-1/2	3
CXJ	6x16x4	4	14	2	5	2	15	3
CXJ	6x18x6	4	16	4	5	4	17	4
CXJ	7x10x4	5	8	2	5-1/2	2	8-1/2	3
CXJ	7x10x6	5	8	4	5-1/2	4	8-1/2	4
CXJ	7x18x5	5	16	3	6	3	17	3
CXJ	8x8x4	6	6	2	6-1/2	2	6-1/2	3
CXJ	8x8x6	6	6	4	6-1/2	4	6-1/2	4
CXJ	8X8X8	6	6	6	6-1/2	6	6-1/2	4
CXJ	8x10x4	6	8	2	6-1/2	2	8-1/2	3
CXJ	8x10x6	6	8	4	6-1/2	4	8-1/2	4
CXJ	8x10x8	6	8	6	6-1/2	6	8-1/2	4
CXJ	8X12X4	6	10	2	6-1/2	2	10-1/2	3
CXJ	8x12x6	6	10	4	6-1/2	4	10-1/2	4
CXJ	8x12x8	6	10	6	6-1/2	6	10-1/2	4
CXJ	9x11x5	7	9	3	7-1/2	3	9-1/2	3
CXJ	10x10x4	8	8	2	8-1/2	2	8-1/2	3
CXJ	10x10x6	8	8	4	8-1/2	4	8-1/2	4
CXJ	10x10x8	8	8	6	8-1/2	6	8-1/2	4
CXJ	10x14x4	7-1/2	11-1/2	1-1/2	8	1-1/2	12	3
CXJ	10x14x6	7-1/2	11-1/2	3-1/2	8	3-1/2	12	4
CXJ	10x14x8	7-1/2	11-1/2	5-1/2	8	5-1/2	12	4
CXJ	12x12x4	9-1/2	9-1/2	1-1/2	10	1-1/2	10	3
CXJ	12x12x6	9-1/2	9-1/2	3-1/2	10	3-1/2	10	4
CXJ	12x12x8	9-1/2	9-1/2	5-1/2	10	5-1/2	10	4
CXJ	12x18x4	9-1/2	15-1/2	1-1/2	10	1-1/2	16	3
CXJ	12x18x6	9-1/2	15-1/2	3-1/2	10	3-1/2	16	4
CXJ	12x18x8	9-1/2	15-1/2	5-1/2	10	5-1/2	16	4



CXJ



CXJ-FCS

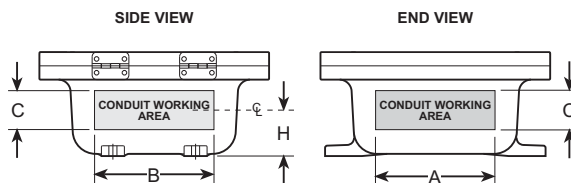
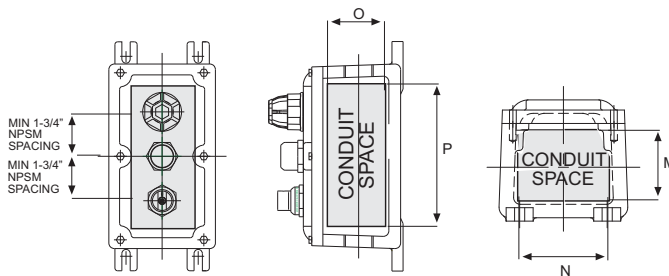


Table III.2

CATALOG NUMBER CXI / CXP	MAX NO. OF OPERATORS IN COVER	LONG SIDE (IN INCHES)		SHORT SIDE (IN INCHES)		MAXIMUM CONDUIT (IN INCHES)
		O	P	M	N	
CXI	3x3x3	1	1-1/2	1-1/2	1-1/2	1-1/2
CXI	3x6x3	2	1-1/2	4-1/2	1-1/2	1-1/2
CXI	3x7x3	3	1-1/2	5-1/2	1-1/2	1-1/2
CXI	3x9x3	4	1-1/2	7-1/2	1-1/2	1-1/2
CXI	3x11x3	5	1-1/2	9-1/2	1-1/2	1-1/2
CXI	3x13x3	6	1-1/2	11-1/2	1-1/2	1-1/2
CXI	3x15x3	7	1-1/2	13-1/2	1-1/2	1-1/2
CXI	3x18x3	9	1-1/2	16-1/2	1-1/2	1-1/2



*Note: CXP Panel Mount available when required - C/F

Akron Electric, Inc.

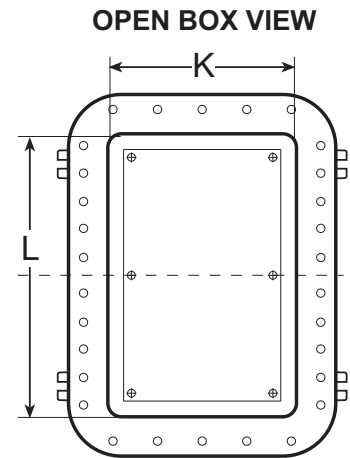
Manufacturers of Explosion-Proof Enclosures & Electrical Systems

Akron Drilling & Tapping Instructions

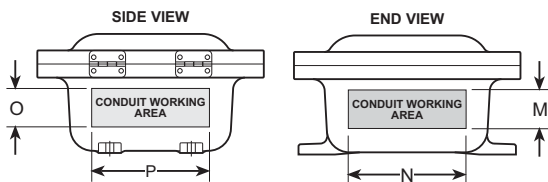
Table III.3

CATALOG NUMBER		COVER AREA		SHORT SIDE (INCHES)		LONG SIDE (INCHES)		MAXIMUM CONDUIT (INCHES)
		K	L	M	N	O	P	
CXJ	12x20x5	9-1/2	17-1/2	2-1/2	10	2-1/2	18	3
CXJ	12x24x4	9	21	1-1/2	10	1-1/2	22	3
CXJ	12x24x6	9	21	3-1/2	10	3-1/2	22	4
CXJ	12x24x8	9	21	5-1/2	10	5-1/2	22	4
CXJ	12x24x10	9	21	7-1/2	10	7-1/2	22	4
CXJ	12x30x6	9	27	3-1/2	10	3-1/2	28	4
CXJ	12x36x4	9	33	1	10	1	33	3
CXJ	12x36x6	9	33	3	10	3	33	4
CXJ	12x36x8	9	33	5	10	5	33	4
CXJ	12x46x8	9	43	5	9	5	43	4
CXJ	14x14x4	11	11	1-1/2	12	1-1/2	12	3
CXJ	14x14x6	11	11	3-1/2	12	3-1/2	12	4
CXJ	14x14x8	11	11	5-1/2	12	5-1/2	12	4
CXJ	14x28x6	11	25	3	11 1/2	3	25-1/2	4
CXJ	16x16x4	13	13	1-1/2	14	1-1/2	14	3
CXJ	16x16x6	13	13	3-1/2	14	3-1/2	14	4
CXJ	16x18x12*	15	17	9-3/8	13-7/16	9-3/8	15-7/16	4
CXJ	16x16x8	13	13	5-1/2	14	5-1/2	14	4
CXJ	16x24x6	12-1/2	20-1/2	3-1/2	14	3-1/2	22	4
CXJ	16x24x8	12-1/2	20-1/2	5-1/2	14	5-1/2	22	4
CXJ	16x24x10	12-1/2	20-1/2	7-1/2	14	7-1/2	22	4
CXJ	16x46x10	13	43	7	13	7	43	3
CXJ	18x18x4	14-1/2	14-1/2	2	16	2	16	4
CXJ	18x18x6	14-1/2	14-1/2	4	16	4	16	4
CXJ	18x18x8	14-1/2	14-1/2	6	16	6	16	4
CXJ	18x24x6	14-1/2	20-1/2	3	16	3	22	4
CXJ	18x24x8	14-1/2	20-1/2	5	16	5	22	4
CXJ	18x24x10	14-1/2	20-1/2	7	16	7	22	4
CXJ	18x24x12*	16	22	9-3/8	15-7/16	9-3/8	21-7/16	4
CXJ	18x30x8	14-1/2	26-1/2	5-1/2	16	5-1/2	28	4
CXJ	18x36x8	15	33	3-1/2	16	3-1/2	34	4
CXJ	18x36x10	15	33	5-1/2	16	5-1/2	34	4
CXJ	24x24x8	21	21	4-1/2	21	4-1/2	21	4
CXJ	24x24x10	21	21	6-1/2	21	6-1/2	21	4
CXJ	24x30x8	20-1/2	26-1/2	5	22	5	28	4
CXJ	24x36x8	20-1/2	32-1/2	4-1/2	21	4-1/2	33	4
CXJ	24x36x10	20-1/2	32-1/2	6-1/2	21	6-1/2	33	4
CXJ	32x36x12*	28-1/2	32-1/2	2-3/4	29	2-3/4	33	4
CXJ	34x68x10*	30	64	2.13	21.56	2.13	52.38	4#
CXJ	38x38x8*	34	34	5.13	22	5.13	22	4#

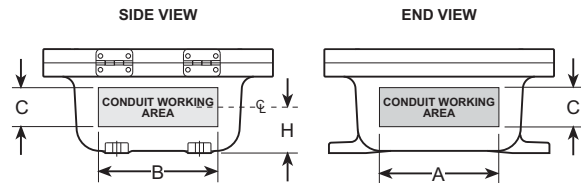
*Note - Not available in CXJ-FCS
- C/F



CXJ

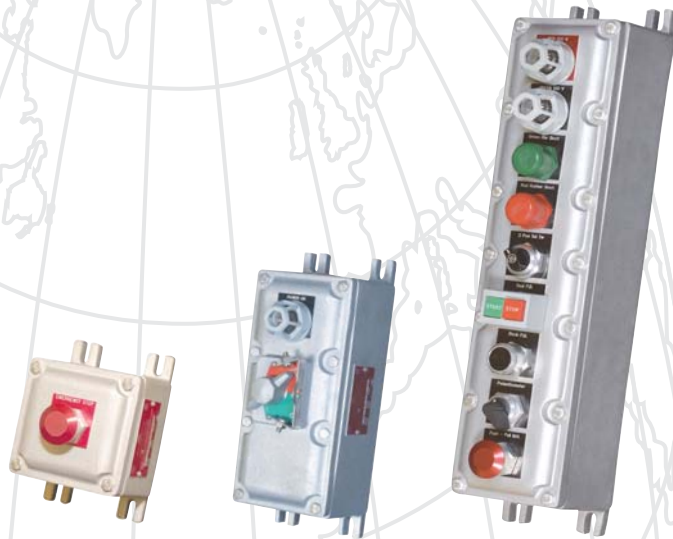


CXJ-FCS





Explosion-Proof Control Stations "CXI" Series



Applications:

Locations such as Waste Water Treatment Plant (WWTP), Processing Facilities (Oil, Gas, etc.), Refineries, & Chemical Plants explosion

CXI series can be used for Control Stations, Manual Motor Starters, or Pendant Stations



Try our spacious
CXI 484 when
Group B is required

"When a smaller enclosure is needed for industrial controls, our CXI Series cannot be beat."

Features:

All enclosures are available in NEMA 4X with neoprene gasket for water tight applications.

All enclosures are suitable for surface or panel mounting.

Cast from light - weight corrosion resistant aluminum

Attractive wheelabraste finish

Durable cast mounting feet and easily accessible grounding screw.

Expanded internal space for splicing or terminal blocks.

Available to use with Mini Pilot Device Series (1" center to center)



Ordering Instructions:

All "CXI" enclosures are machined with operator (3/4" NPSM in cover) and standard conduit holes as specified in chart. (Consult factory for custom specifications).

To order NEMA-4 gasket, add suffix "N4" to part number (CXI 333-X1-N4). For Panel Mount Applications (3/4" NPSM in base instead of cover), use prefix "CXP" instead of "CXI" (CXP 333-X1).

To order Junction Box type enclosures, order "AXI" Series Enclosures.

Spacing constraints may apply when using some operator types (Mushroom Head P.B., Illum. P.B., Push to Test P.L., etc.); C/F

Consult factory for terminal installation or custom layouts.

See "order form page" on additional information to customize this enclosure.

Materials:

Enclosures: Copper-free Aluminum (less than 0.25% copper content)

Cover Bolts: Cad-Plated or Stainless Steel (please specify)

Mounting Pan (Opt.): Aluminum*;

Galvanized Steel or Phenolic Materials available upon request.

*Note: Aluminum Mounting Pan will be provided if mounting pan is requested, unless otherwise noted.

Compliances:

N.E.C. - Class. I, Div. 1 & 2 Groups B*, C & D

Class. II, Div. 1 & 2 Groups E, F & G

Class. III

NEMA 7 & 9 (Optional 3, 4X)

* - CXI 484 Only



Certificate Number 03.059.1

ISO 9001 With Design

Approvals:

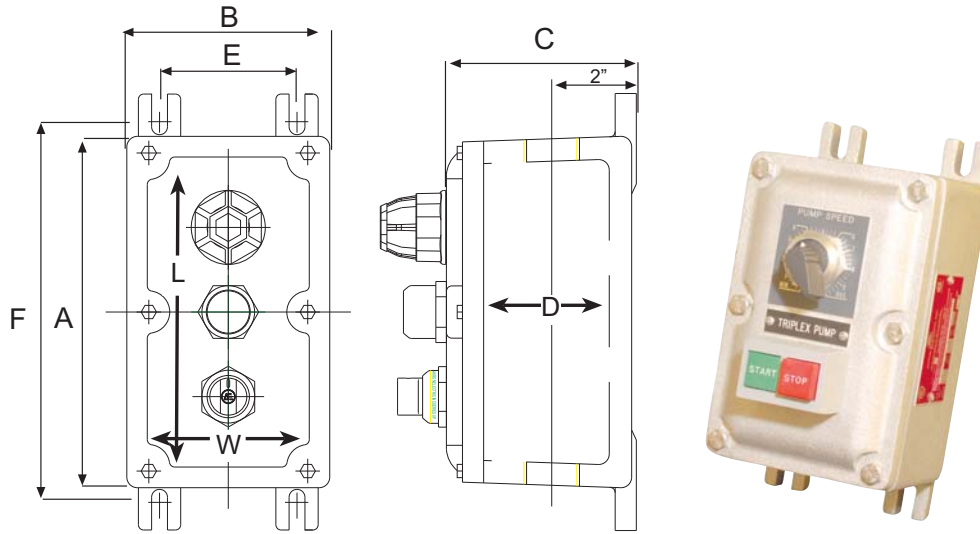
UL CLASSIFIED - Standard 886 - E94590

cUL (CXI 4 & 6) - Standard C22.2 No. 30-M1986 and No. 25-1966

CSA Certified (CXI 3) - Standard C22.2 No. LR64264

1025 Eagon Street Barberton, Ohio 44203 Ph: 330-745-8891 Fax: 330-745-2504
www.AkronElectric.Com E-Mail: Sales@AkronElectric.Com

Explosion-Proof Control Stations “CXI” Series



Catalog Number	Nominal Inside Dimensions			Dimensions In Inches						Std. Est. Conduit Lbs. Size		Mtg. Bolt Size
				W	L	D	A	B	C			
	CXI 333-X1	3-1/2	3-1/2	3	4-9/16	4-9/16	4-1/2	5-1/2	3-1/4	5	3/4"	1/4"
CXI 363-X2	3-1/2	6	3	7-1/16	4-9/16	4-1/2	8	3-1/4	6	3/4"	1/4"	
CXI 373-X3	3-1/2	7	3	8-1/16	4-9/16	4-1/2	9	3-1/4	7	3/4"	1/4"	
CXI 393-X4	3-1/2	9	3	10-1/16	4-9/16	4-1/2	11	3-1/4	8	1"	1/4"	
CXI 3113-X5	3-1/2	11	3	12-1/16	4-9/16	4-1/2	13	3-1/4	10	1-1/4"	1/4"	
CXI 3133-X6	3-1/2	13	3	14-1/16	4-9/16	4-1/2	15	3-1/4	11	1-1/4"	1/4"	
CXI 3153-X7	3-1/2	15	3	16-1/16	4-9/16	4-1/2	17	3-1/4	12	1-1/4"	1/4"	
CXI 3183-X8/X9	3-1/2	18	3	19-1/16	4-9/16	4-1/2	20	3-1/4	14	1-1/4"	1/4"	

Catalog Number	Nominal Inside Dimensions			Dimensions In Inches					Est. Lbs.	Max. Conduit Size	Mtg. Bolt Size
	W	L	D	A	B	C	F	E			
CXI 484	4-1/4	8	4	10-29/64	6-45/64	5-5/8	11-1/2	5-1/4	19	2"	1/4"
CXI 6104	6-1/2	10	4	11-1/16	7-9/16	6-1/8	11-27/32	6-1/4	21	2"	1/4"
CXI 6174	6-1/2	17	4	18-5/16	7-13/16	6-1/8	18-3/4	6-1/4	33	2"	1/4"
CXI 6244	6-1/2	24	4	25-13/16	7-13/16	6-1/8	26-1/4	6-1/4	45	2"	1/4"
CXI 6304	6-1/2	30	4	31-13/16	7-13/16	6-1/8	32-1/4	6-1/4	56	2"	1/4"

Note: All dimensions are for reference only

CXI SUFFIX	Number of Operators (Vert.)
X1	1
X2	2
X3	3
X4	4
X5	5
X6	6
X7	7
X8/X9	8/9

Note:

Each CXI Enclosure includes the appropriate number of operator holes as specified in the table to the left

By adding the suffixes (X1, X2, X3, etc.), one standard conduit size NPT hole will be placed at both the top and bottom of the enclosure along with the respective NPSM entries

If these specifications are not desired, please use simply the CXI number with the desired modifications listed underneath as shown on the "AKRON Easy Catalog Ordering Information" on Page 22.

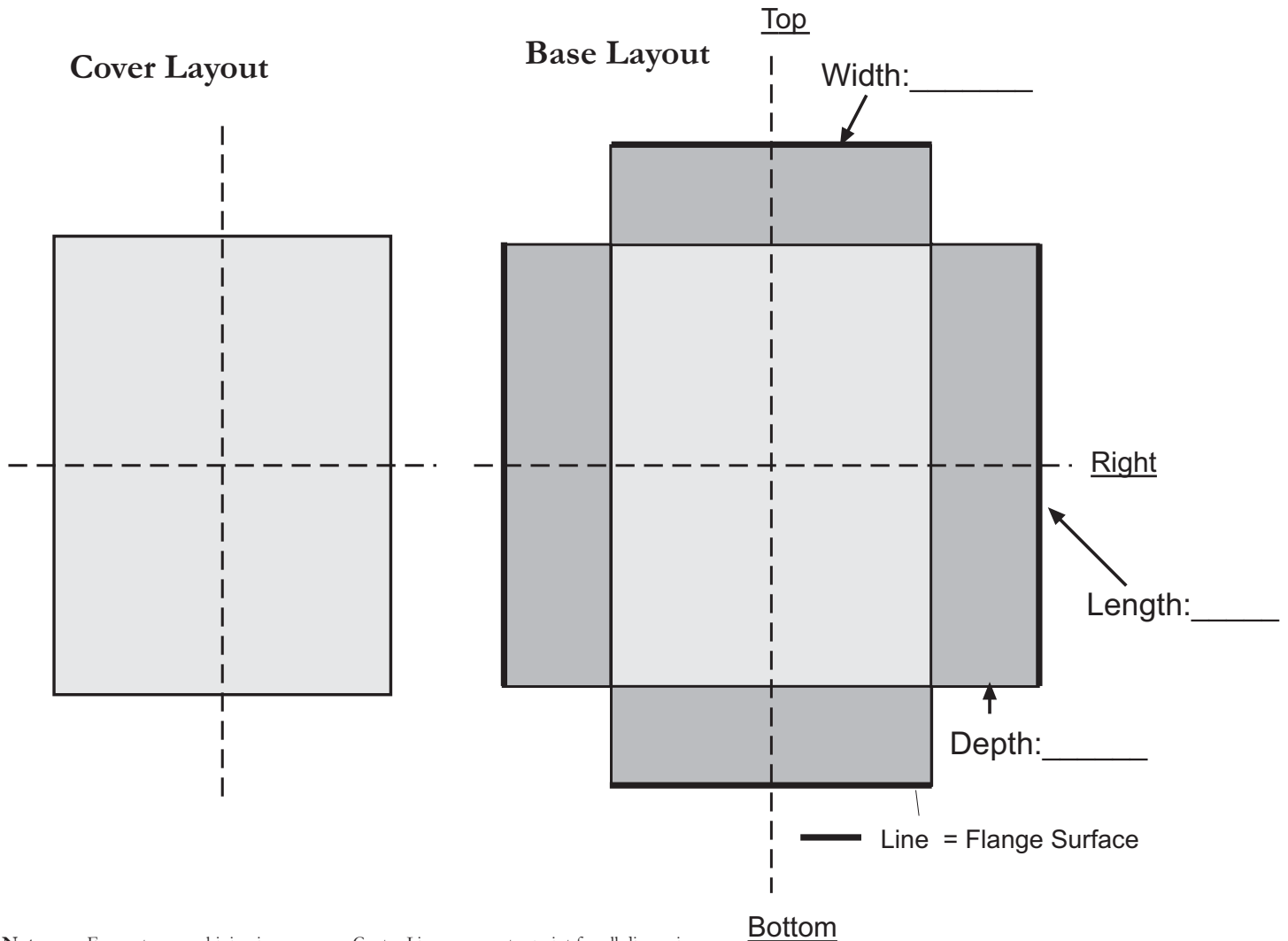


Explosion-Proof Control Stations "CXI" Series

CXI Custom Ordering Information

Number of Holes	Operator Cat. No.	Legend Plate Description (Color/Material/Inscription)	Contact Block
1			
2			
3			
4			
5			
6			
7			
8			

X P CONTROL STATIONS



Note: For custom machining in cover, use Center Lines as a center point for all dimensions
Note: NPSM entries are at least 2" apart center to center

Explosion-Proof Control Stations “CXI” Series / Pendant Stations

“Ideal for the use in Lighting, Lifting & Crane Applications for the control of machinery in Explosion-Proof Environments.”



Applications:

CXI Pendant Stations are ideal for the use in Lighting, Lifting & Crane Applications for the control of machinery in Explosion-Proof Environments.

AKRON provides the Pendant Station that is best-suited for every job.

AKRON operators are also used in the Pendant Stations and manufactured and assembled in-house.

The AKRON Pendant Station can provide ease of use for the operator and prevents electrical sparks from entering the surrounding environment.

Features:

All enclosures are available in NEMA 4X with neoprene gasket for water tight applications.

All enclosures are suitable for surface or panel mounting.

Cast from light - weight corrosion resistant aluminum

Attractive wheelabraste finish

Durable cast mounting feet and easily accessible grounding screw

Expanded internal space for splicing or terminal blocks

Special Corrosion-Resistant Epoxy Coating available upon request

AKRON Electric Operators

Special handle for project use in cranes, lifts, etc.

XP Pilot Light Series equipped with bayonet receptacle bases and your choice of 12, 24, 48, 120 or 240 volt LED lamps

Lens Guard comes with standard light-gray powder coat finish

Materials:

Enclosures: Copper-free Aluminum (less than 0.25% copper content)

Cover Bolts: Cad-Plated or Stainless Steel (please specify)

Mounting Pan (Opt.): Aluminum*;

Galvanized Steel or Phenolic Materials available upon request.

*Note: Aluminum Mounting Pan will be provided if mounting pan is requested, unless otherwise noted.

Compliances:

N.E.C. - Class. I, Div. 1 & 2 Groups C & D

Class. II, Div. 1 & 2 Groups E, F & G

Class. III

NEMA 7 & 9 (Optional 3, 4X)



Certificate
Number
03.059.1

**ISO
9001 With Design**

Approvals:

UL CLASSIFIED - Standard 886 - E94590

CSA Certified - Standard C22.2 No. LR64264



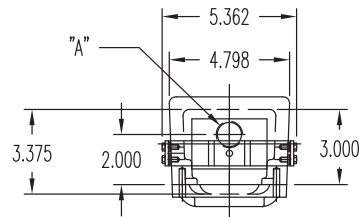
Explosion-Proof Control Stations "CXI" Series / Pendant Stations

Dimensional Outline (In.)

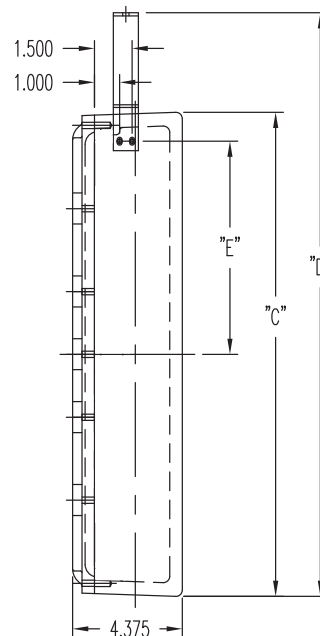
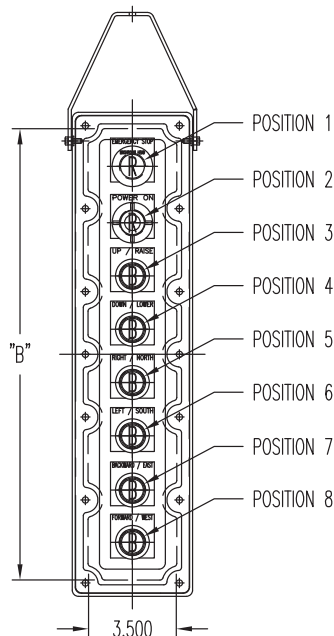
Catalog No.	A	B	C	D	E	Operator Pos.
CXI373-E1-E8-N4-N5	3/4	7	8.308	12.28	3	1, 3, 4
CXI393-E1-E8-N4-N5	3/4	9	10.31	14.28	4	1, 2, 3, 4
CXI3113-E1-E8-N4-N5	3/4	11	12.31	16.28	5	1, 3, 4, 5, 6
CXI3133-E1-E8-N4-N5	3/4	13	14.31	18.28	6	1, 2, 3, 4, 5, 6
CXI3153-E1-E8-N4-N5	1	15	16.31	20.28	7	1, 3, 4, 5, 6, 7, 8
CXI3183-E1-E8-N4-N5	1	18	19.31	23.28	8.5	1, 2, 3, 4, 5, 6, 7, 8

Note: All dimensions are for reference only; Note: E1 - Corrosion-Resistant Epoxy Coating specify when required

Position	Legend Plate	Description	Contact Block
1	E-Stop -OR- OFF-ON	Mushroom Head P.B.	1 NCLB
2	POWER ON	Red Pilot Light	120 V Red Std. Barrel
3	UP or RAISE	Black Push Button	1 NO / 1 NOEM
4	DOWN or LOWER	Black Push Button	1 NO / 1 NOEM
5	RIGHT or NORTH	Black Push Button	1 NO / 1 NOEM
6	LEFT or SOUTH	Black Push Button	1 NO / 1 NOEM
7	BACKWARD or EAST	Black Push Button	1 NO / 1 NOEM
8	FORWARD or WEST	Black Push Button	1 NO / 1 NOEM



Note: For custom Pendant Stations please see CXI Custom Ordering Information (pg. 69)



Explosion-Proof Instrument Enclosures "XJIH" Series

"Try our XJIH Series which comes with solid or viewing window dome covers."

Features:

All enclosures are NEMA 4X with neoprene gasket for water tight applications.

Light weight corrosion resistant copper-free aluminum construction with an attractive wheelabraste finish

Internal ground screw standard

Optional Mounting Straps available (Flat, Raised or Diamond Shape)

Extra large throat opening: 3-1/2" or 4" diameter; Large viewing lens cover: 2-5/8" or 3" diameter

Internal Mounting Boss for instrumentation installation, Din Rail, etc.

Slotted groove for easy removal and tightening of cover

3/4" offset feed through hubs offer maximum interior space and greater working area

E1 / E2 - Corrosion-Proof Epoxy Coating available upon request

Raised "donut" mounting surface with increased surface area for drilling and tapping

Third Hub available for 1/2" or 3/4" NPT Conduit Entry

Materials:

Enclosures: Copper-free Aluminum (less than 0.25% copper content)

Third Hub Tapping:

A Third Hub can be drilled and tapped in the Instrument Housings. This is an **optional adder** for the Instrument Housing Line and the size of NPT holes that can be drilled and tapped include 1/2" NPT or 3/4" NPT (Please Specify).

ATEX Certification: (Optional)

If ATEX Certification is required, please specify.

Add "-CEN" to Part Number to designate ATEX. (Optional)

Certain features are added to the XJIH Instrument Housing Line if ATEX Certification is required:

- External Ground Screw
- External Set Screw



MSD - Diamond Mounting Strap
(Flat and Raised also available)



Approvals:

UL CLASSIFIED - Standard 1203, File No. E139669

CSA Certified (Canada) - Standard C22.2-30M1984

FM Class No. 3615

ATEX - Ex II 2 G EEx d IIC

Compliances:

N.E.C. - Class. I, Div. 1 & 2 Groups B, C & D

Class. II, Div. 1 & 2 Groups E, F & G

Class. III

NEMA 7 & 9 (Optional 3, 4X)



ATEX (Optional)

II 2 G EEx d II C; -20 to + 40 C; IP 66; KEMA 03ATEX2460 U

"U" Component Certification; EN 50014:1997; EN 50018:2000

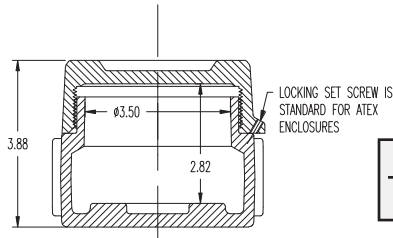
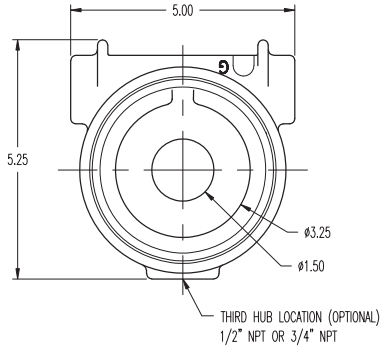
Most current ATEX Certificate Pending



Explosion-Proof Instrument Enclosures "XJIH" Series

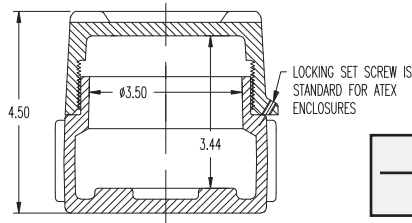
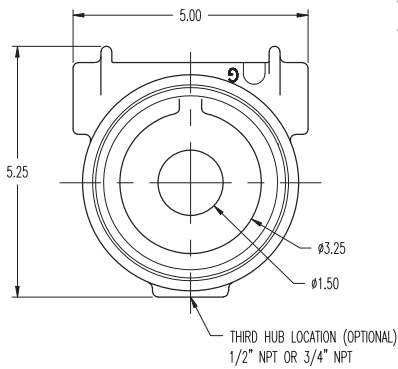
3-1/2" Diameter Opening

XJIHS05



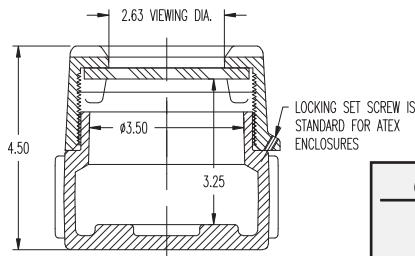
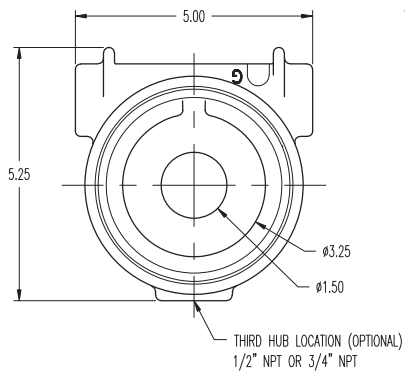
Catalog No.	Description
XJIHS05	Low-Profile Cover Solid

XJIHS1



Catalog No.	Description
XJIHS1	Standard Cover Solid

XJIHG1

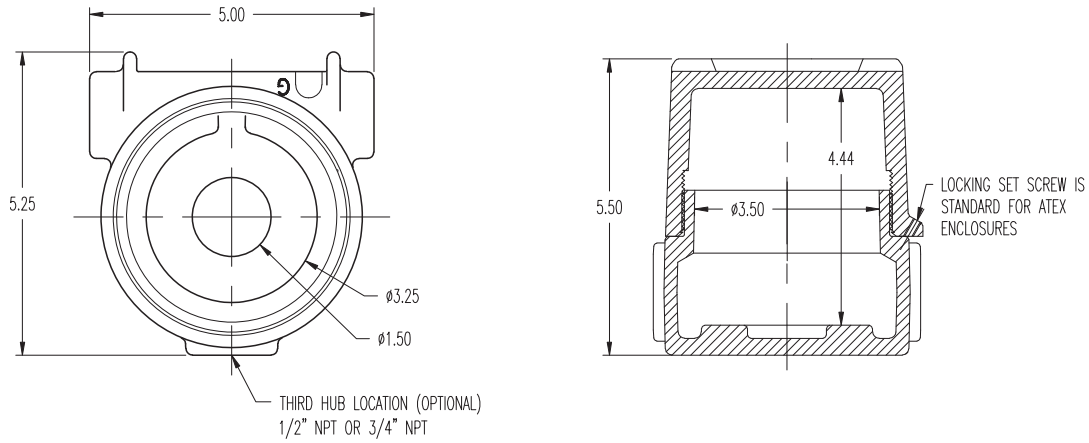


Catalog No.	Description
XJIHG1	Standard Cover with Viewing Window

Explosion-Proof Instrument Enclosures "XJIH" Series

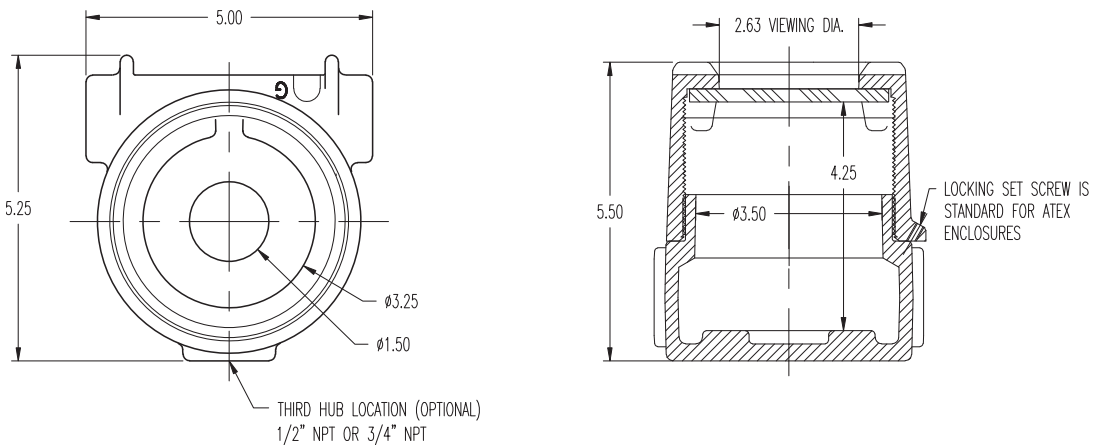
3-1/2" Diameter Opening

XJIHS15



Catalog No.	Description
XJIHS15	Deep Cover Solid

XJIHG15



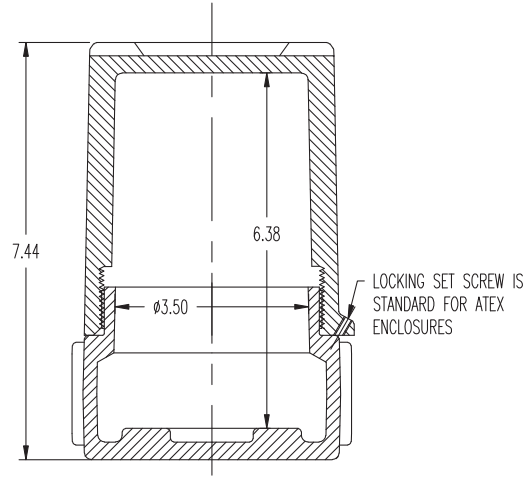
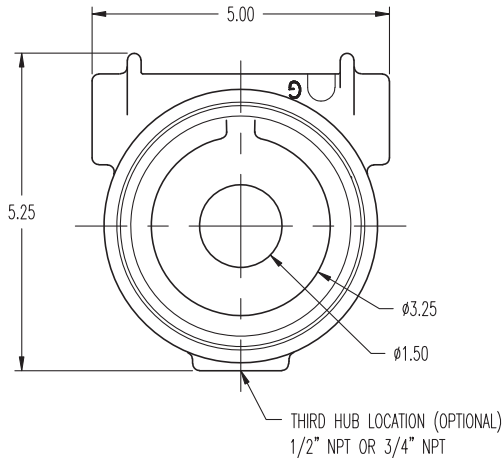
Catalog No.	Description
XJIHG15	Deep Cover with Viewing Window



Explosion-Proof Instrument Enclosures “XJIH” Series

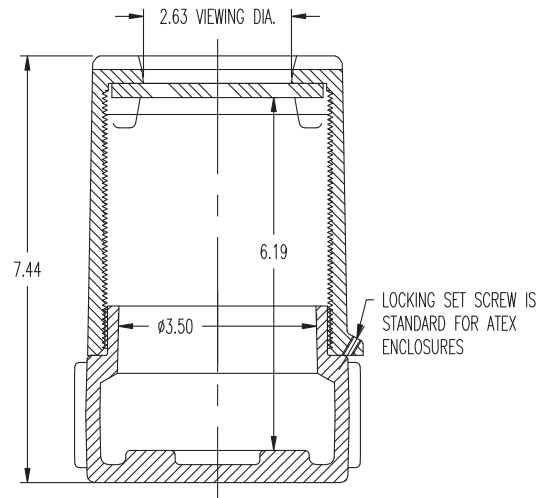
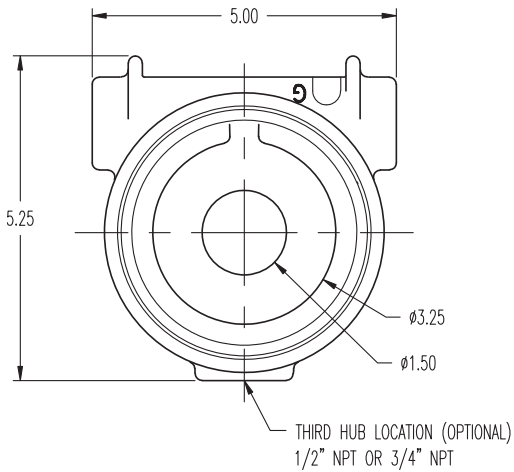
3-1/2” Diameter Opening

XJIHS2



Catalog No.	Description
XJIHS2	Deep Cover Solid

XJIHG2

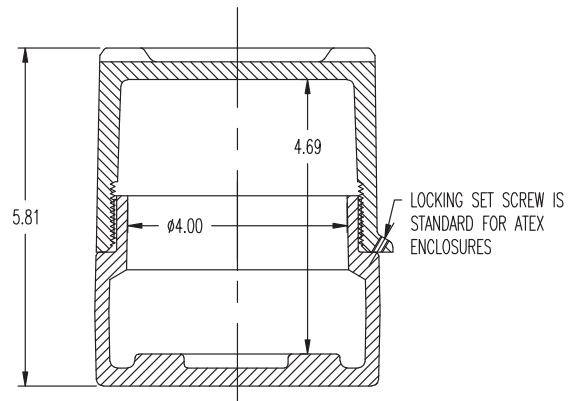
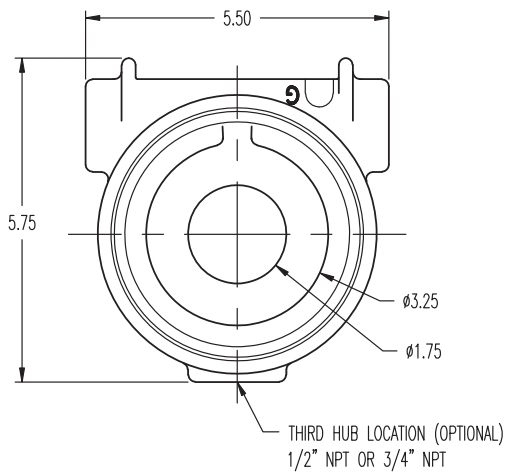


Catalog No.	Description
XJIHG2	Deep Cover with Viewing Window

Explosion-Proof Instrument Enclosures "XJIH" Series

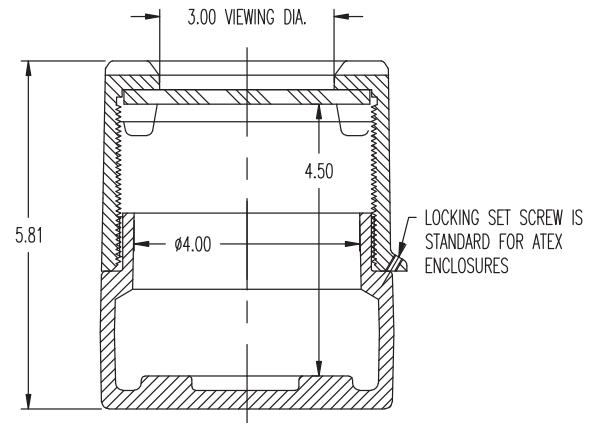
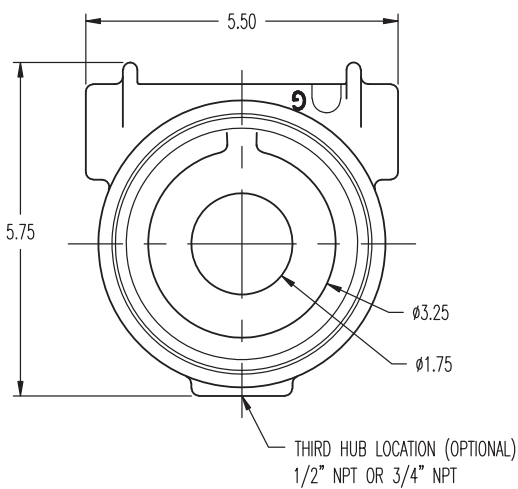
4" Diameter Opening

XJIHS4



Catalog No.	Description
XJIHS4	Standard Cover Solid

XJIHG4



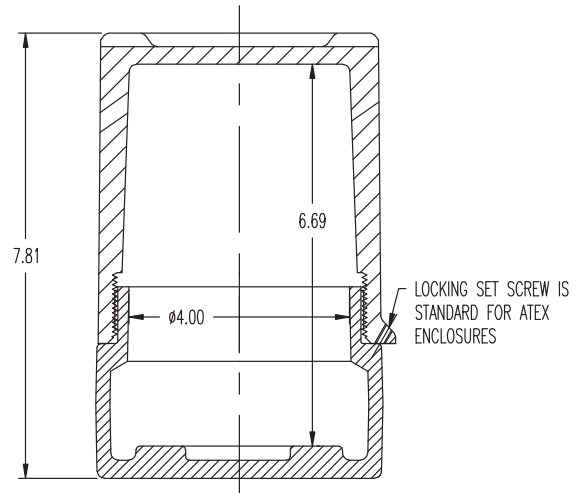
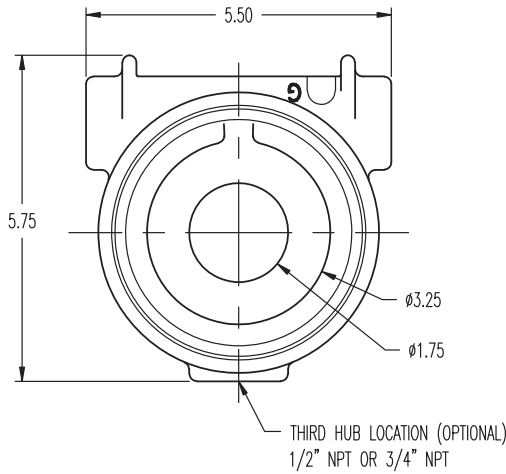
Catalog No.	Description
XJIHG4	Std. Cover with Viewing Window



Explosion-Proof Instrument Enclosures "XJIH" Series

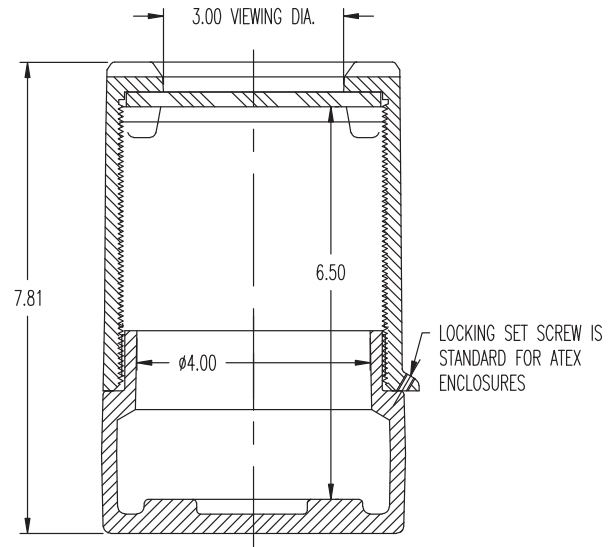
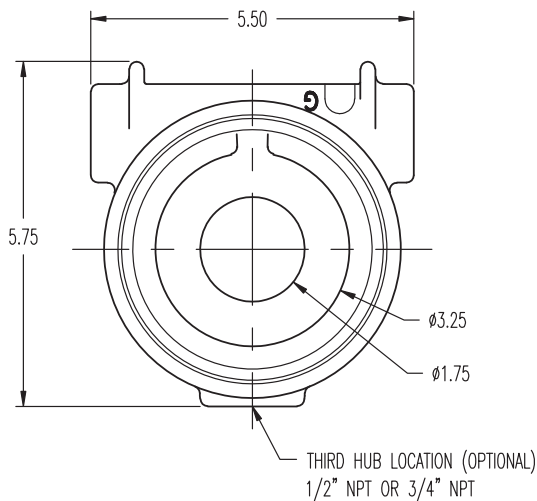
4" Diameter Opening

XJIHS5



Catalog No.	Description
XJIHS5	Deep Cover Solid

XJIHG5



Catalog No.	Description
XJIHG5	Deep Cover with Viewing Window

Explosion-Proof Instrument Enclosures “XJIHD” Series

“Try our XJIHD - Dual Sided Instrument Housing Series for special projects and applications.”



Applications:

Engineered as a two-compartment enclosure to segregate instrument and control components

ATEX Certification: (Optional)

If ATEX Certification is required, please specify.

Add “-CEN” to Part Number to designate ATEX. (Optional)

Certain features are added to the XJIH Instrument Housing Line if ATEX Certification is required:

- External Ground Screw
- External Set Screw

Features:

All enclosures are NEMA 4X with neoprene gasket for water tight applications.

Light weight corrosion resistant copper-free aluminum construction with an attractive wheelabraste finish

Internal ground screw standard

Extra large throat opening: 3-1/2” or 4” diameter

Slotted groove for easy removal and tightening of cover

(2) 3/4” NPT Conduit Entries standard

Large volume of internal space for instrument or control requirements

1/2” thick barrier wall with drilling and tapping capability for pass through holes*

E1 / E2 - Corrosion-Proof Epoxy Coating available upon request

Specify 1/2” to 3/4” NPT Reducer Bushings, if required

* - UL / CSA version only

Materials:

Enclosures: Copper-free Aluminum (less than 0.25% copper content)



Certificate
Number
03.059.1

ISO
9001 With Design

Approvals:

UL CLASSIFIED - Standard 1203; File E139669

CSA Certified (Canada) - Standard C22.2-30 No.30-M1984

FM Class No. 3615

ATEX - Standards EN 50014-50018

Compliances:

N.E.C. - Class. I, Div. 1 & 2 Groups B, C & D

Class. II, Div. 1 & 2 Groups E, F & G

Class. III

NEMA 7 & 9 (Optional 3, 4X)



ATEX (Optional)

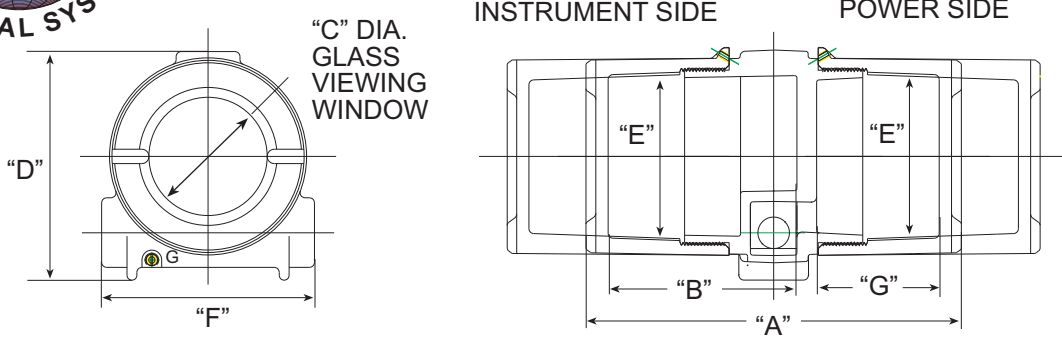
II 2 G EEx d II C; -20 to + 40 C; IP 66; KEMA 03ATEX2460 U

“U” Component Certification; EN 50014:1997; EN 50018:2000

Most current ATEX Certificate Pending



Explosion-Proof Instrument Enclosures "XJIHD" Series



INSTRUMENT SIDE

CATALOG NUMBER	DESCRIPTION	A	B	C	D	E	F	G	INST. SIDE FREE VOLUME CUBIC INCHES
XJIHDS05	SPECIAL COVER SOLID	6-1/4	3-3/8	---	5-1/4	3-1/2	4-7/8	1-3/16	21
XJIHDS1	STD. COVER SOLID	6-7/8	3-3/8	---	5-1/4	3-1/2	4-7/8	1-13/16	27
XJIHDS15	SPECIAL COV. SOLID	7-13/16	4-3/8	---	5-1/4	3-1/2	4-7/8	1-13/16	37
XJIHDS2	DEEP COVER SOLID	9-3/4	6-5/16	---	5-1/4	3-1/2	4-7/8	1-13/16	56
XJIHDG1	STD. COV. W/ Viewing Window	6-7/8	3-3/16	2-5/8	5-1/4	3-1/2	4-7/8	1-13/16	26
XJIHDG15	SPECIAL COV. W/Viewing Window	7-13/16	4-3/16	2-5/8	5-1/4	3-1/2	4-7/8	1-13/16	35
XJIHDG2	DEEP COV. W/Viewing Window	9-3/4	6-1/8	2-5/8	5-1/4	3-1/2	4-7/8	1-13/16	54
XJIHDS4	STD. COVER SOLID	9-1/2	4-3/4	---	5-3/4	4	5-1/2	3	52
XJIHDS5	DEEP COVER SOLID	11-1/2	6-3/4	---	5-3/4	4	5-1/2	3	77
XJIHDG4	STD. COVER W/Viewing Window	9-1/2	4-9/16	3	5-3/4	4	5-1/2	3	49
XJIHDG5	DEEP COVER W/Viewing Window	11-1/2	6-9/16	3	5-3/4	4	5-1/2	3	75

3-1/2" OPTIONAL COVER - POWER SIDE

SUFFIX	DESCRIPTION	DIM. "G"	FREE VOL. CUBIC INCHES
STD.	FLAT SOLID	1-13/16	18
"A"	INT. DOME SOLID	2-13/16	27
"B"	DOME SOLID	4-3/4	46
"C"	FLAT GLASS	1-5/8	16
"D"	INT. DOME GLASS	2-5/8	26
"E"	DOME GLASS	4-9/16	44
"F"	SHORT SOLID	1-13/16	12

4" OPTIONAL COVER - POWER SIDE

SUFFIX	DESCRIPTION	DIM. "G"	FREE VOL. CUBIC INCHES
STD.	FLAT SOLID	3	39
"A"	DOME SOLID	5-1/16	64
"B"	FLAT GLASS	2-13/16	37
"C"	DOME GLASS	4-7/8	62

Third Conduit Location

Third Location can be drilled for Sensors, Probes, or Conduit entry

- 1/2" OR 3/4" NPT
- 1/2" OR 3/4" NPSM
- 20MM OR 25MM (ATEX only)

Barrier Wall

Internal Wall can be drilled and tapped for mounting holes to accommodate:

- 2 to 12 point power side terminal strip with sealed pass-through to instrument
- RS-232 mountings to similar device mountings
- Pass through holes
- Consult Factory for special machining of barrier wall

SAMPLE PART NUMBER:

XJIHDS2 (DEEP SOLID COVER) - Instrument Side

AND

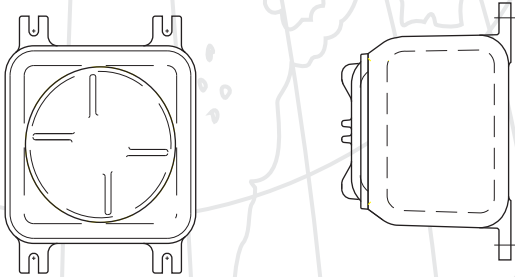
"E" (DOME GLASS POWER SIDE COVER) =

CATALOG NUMBER - XJIHDS2-E

Explosion-Proof Threaded Cover / Metering Control Station "XJCTS / XJCTG" Series

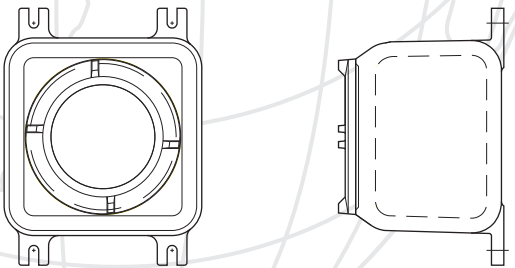
XJCTS

Solid-Cover Instrument Housing



XJCTG

Viewing-Glass Cover Metering Enclosure



"The XJCT Series Instrument Housing / Metering Enclosure comes standard with an easy access solid or glass NEMA 4X screw top cover"

Features:

Threaded opening design provides easy access to components and quick removal of cover

Integral cast mounting feet

All enclosures suitable for drilling and tapping

Cast from copper - free aluminum - max. 0.25% copper content

Stainless steel shot blast finish

Available with solid or glass covers

NEMA 4X "O-Ring" standard with all threaded enclosures

Mounting Pan: Aluminum; Galvanized Steel or Phenolic Materials available upon request



Certificate Number 03.059.1

ISO 9001 With Design

Approvals:

UL CLASSIFIED - Standard 886

CSA Certified (Canada) - Standard C22.2 No. 30-M1986 & No. 25-1966

Compliances:

N.E.C. - Class. I, Div. 1 & 2, Groups B, C & D

Class. II, Div. 1 & 2, Groups E, F & G

Class. III, Enclosure 4X

NEMA 3, 4X, 7 & 9

ATEX Certification: (Optional)



Exd IIC; IP 66 Rating; -20 C to +40 C;

EN 50014 : 1997; EN 50018 : 2000

Most current ATEX Directive *pending*

If ATEX Certification is required, please specify.

Add "-CEN" to Part Number to designate ATEX. (Optional)



Explosion-Proof Control Station "XJCTS" Threaded Solid Cover Series

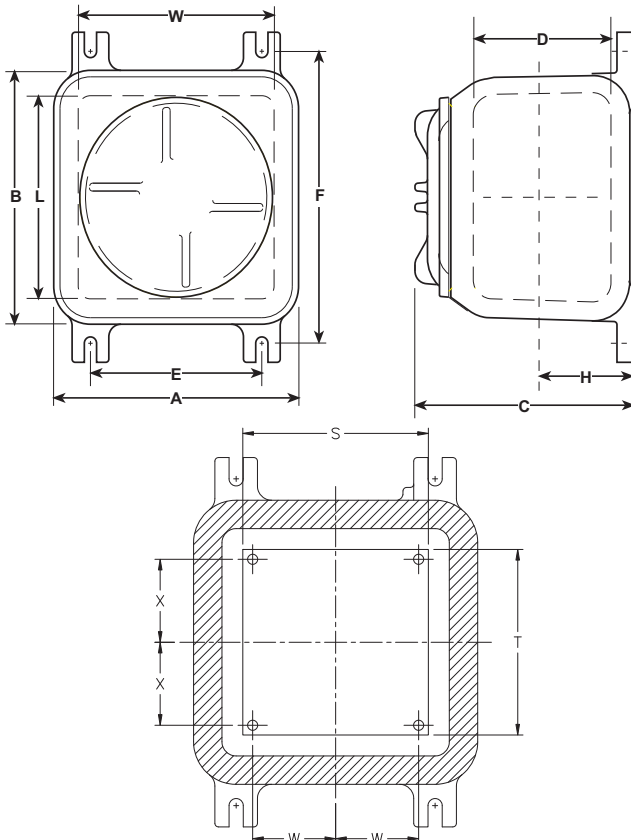
Catalog Number	Inside Dimensions (Inches)			Throat Opening	Outside Dimensions (Inches)			Mounting (Inches)		Conduit NPT		Weight (Lbs.) Est.
	W	L	D		A	B	C	E	F	Max Size	Standard LOC "H"	
# XJCTS0*	3-3/4	3-3/4	2-11/16	4	4-3/4	4-3/4	5-1/2	3-3/4	5-5/8	1-1/4	1-7/8	5
# XJCTS1	5	5	3-1/8	4-3/4	6	6	6	4	7	2	2-3/16	9
# XJCTS2	6	6	4-1/8	5-3/4	7-1/4	7-1/4	7	5	8-1/2	2	2-13/16	12
# XJCTS3	6-1/2	6	4-1/2	5-3/4	7-3/4	7-1/4	7-3/8	6	8-3/4	2	3	13
# XJCTS4	7	7	6-1/8	5-3/4	8-1/4	8-1/4	9	5-1/2	9-1/2	2	3-13/16	20
XJCTS5	8	8	4-1/8	7-1/8	9-1/2	9-1/2	7-3/8	7	11-1/2	2	2-15/16	26
XJCTS6	8	8	6-1/8	7-1/8	9-1/2	9-1/2	9-3/8	7	11-1/2	2	3-15/16	29
XJCTS7	8	10	6-1/8	7-1/8	9-1/2	11-1/2	9-3/8	6-3/4	13-1/2	2	3-15/16	36
XJCTS8	10	10	6-1/8	9-1/8	11-3/4	11-3/4	9-3/4	8-1/2	13-1/2	3	4-1/16	45
XJCTS9	10	10	8-1/8	9-1/8	11-3/4	11-3/4	11-3/4	8-1/2	13-1/2	3	5-1/16	51
XJCTS10	12	11	7-1/2	10-1/8	13-3/4	12-3/4	11-1/4	10-3/4	14-1/2	3	4-3/4	55
XJCTS11	12	12	6-1/8	9-1/8	13-3/4	13-3/4	9-3/4	10-1/2	15-1/2	3	4-1/16	54
# XJCTS12	6	5-1/2	4-1/8	5-3/4	7	6-1/2	6-7/8	5-3/4	7-1/2	2	2-13/16	12
# XJCTS14	7	9	4-5/32	7-1/8	10-1/2	8-3/8	7-3/8	8-1/2	9-3/4	2	2-15/16	33

Two diagonally positioned mounting feet are standard with enclosures XJCTS0, 1, 2, 3, 4, 12 & 14

* Approval Pending - C/F for details

Note: All dimensions are for reference only

Consult Factory for custom machining requirements



Mounting Pans (XJCTS/G/D Series)

XJCTS / G / D Number	Mounting Pan Dimension		Mounting Boss Dimension	
	S	T	W	X
XJCTS1	3-3/4	3-3/4	1.563	1.563
XJCTS2	4-3/4	4-3/4	2.063	2.063
XJCTS3	4-3/4	4-3/4	2.063	2.063
XJCTS4	5-1/2	5-1/2	2.438	2.438
XJCTS5	6-1/2	6-1/2	2.938	2.938
XJCTS6	6-1/2	6-1/2	2.938	2.938
XJCTS7	6-1/2	8	2.938	3.688
XJCTS8	8	8	3.688	3.688
XJCTS9	8-1/2	8-1/2	3.938	3.938
XJCTS10	8-1/2	8-1/2	3.938	3.938
XJCTS11	8-1/2	8-1/2	3.938	3.938
XJCTS12	4-3/4	4-3/4	2.063	2.063
XJCTS14	7	4-3/4	2.938	2.063

Explosion-Proof Metering Control Station "XJCTG" Threaded Glass Cover Series

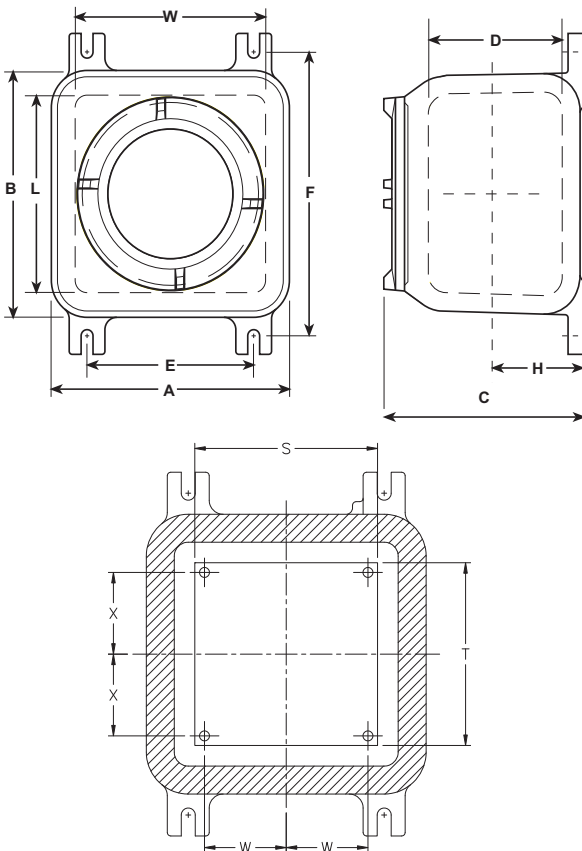
Catalog Number	Inside Dimensions (Inches)			Throat size	Viewing Glass Area	Outside Dimensions (Inches)			Mounting (Inches)		Conduit NPT		Weight (Lbs.) Est.
	W	L	D			A	B	C	E	F	Max Size	Standard LOC "H"	
# XJCTG0*	3-3/4	3-3/4	2-11/16	4	2-3/4	4-3/4	4-3/4	5-1/2	3-3/4	5-5/8	1-1/4	1-7/8	5
# XJCTG1	5	5	3-1/8	4-3/4	3	6	6	6	4	7	2	2-3/16	9
# XJCTG2	6	6	4-1/8	5-3/4	4	7-1/4	7-1/4	7	5	8-1/2	2	2-13/16	12
# XJCTG3	6-1/2	6	4-1/2	5-3/4	4	7-3/4	7-1/4	7-3/8	6	8-3/4	2	3	13
# XJCTG4	7	7	6-1/8	5-3/4	4	8-1/4	8-1/4	9	5-1/2	9-1/2	2	3-13/16	20
XJCTG5	8	8	4-1/8	7-1/8	5-1/4	9-1/2	9-1/2	7-3/8	7	11-1/2	2	2-15/16	26
XJCTG6	8	8	6-1/8	7-1/8	5-1/4	9-1/2	9-1/2	9-3/8	7	11-1/2	2	3-15/16	29
XJCTG7	8	10	6-1/8	7-1/8	5-1/4	9-1/2	11-1/2	9-3/8	6-3/4	13-1/2	2	3-15/16	36
XJCTG8	10	10	6-1/8	9-1/8	6-3/4	11-3/4	11-3/4	9-3/4	8-1/2	13-1/2	3	4-1/16	45
XJCTG9	10	10	8-1/8	9-1/8	6-3/4	11-3/4	11-3/4	11-3/4	8-1/2	13-1/2	3	5-1/16	51
XJCTG10	12	11	7-1/2	10-1/8	7-5/8	13-3/4	12-3/4	11-1/4	10-3/4	14-1/2	3	4-3/4	55
XJCTG11	12	12	6-1/8	9-1/8	6-3/4	13-3/4	13-3/4	9-3/4	10-1/2	15-1/2	3	4-1/16	54
# XJCTG12	6	5-1/2	4-1/8	5-3/4	4	7	6-1/2	6-7/8	5-3/4	7-1/2	2	2-13/16	12
# XJCTG14	7	9	4-5/32	7-1/8	5-1/4	10-1/2	8-3/8	7-3/8	8-1/2	9-3/4	2	2-15/16	33

Two diagonally positioned mounting feet are standard with enclosures XJATG0, 1, 2, 3, 4, 12 & 14

* Approval Pending - C/F for details

Note: All dimensions are for reference only

Consult Factory for custom machining requirements



Mounting Pans (XJCTS/G/D Series)

XJCTS / G / D Number	Mounting Pan Dimension		Mounting Boss Dimension	
	S	T	W	X
XJCTG1	3-3/4	3-3/4	1.563	1.563
XJCTG2	4-3/4	4-3/4	2.063	2.063
XJCTG3	4-3/4	4-3/4	2.063	2.063
XJCTG4	5-1/2	5-1/2	2.438	2.438
XJCTG5	6-1/2	6-1/2	2.938	2.938
XJCTG6	6-1/2	6-1/2	2.938	2.938
XJCTG7	6-1/2	8	2.938	3.688
XJCTG8	8	8	3.688	3.688
XJCTG9	8-1/2	8-1/2	3.938	3.938
XJCTG10	8-1/2	8-1/2	3.938	3.938
XJCTG11	8-1/2	8-1/2	3.938	3.938
XJCTG12	4-3/4	4-3/4	2.063	2.063
XJCTG14	7	4-3/4	2.938	2.063



Explosion-Proof Control Station “XJCTD” Threaded Dome Cover Series

“Increase the interior working depth capacity with one of our dome type covers.”

Features:

- Threaded opening design provides easy access to components
- All enclosures are NEMA 4X with neoprene gasket for water tight applications
- All enclosures are suitable for field drilling and tapping
- Light weight corrosion resistant copper-free aluminum construction
- Attractive wheelabraste finish
- Increased working depth inside enclosures ranging from 4” to 20”
- Available with flat mounting pan or optional L-shaped bracket
- Optional viewing window on top of dome for high visibility of instruments in dome

Ordering Instructions:

When ordering an enclosure with a window in the cover, add the window suffix to the end of the part number (XJCT2D4G2 includes a 2” diameter (G2) round window in the cover).

To order standard mounting pan, add “-N1” to part number (XJCT2D4-N1).

See XJCTS/G chart for standard mounting pan dimensions

Consult factory for custom or L-shaped brackets.



Certificate Number 03.059.1

ISO 9001 With Design

Approvals:

UL CLASSIFIED - Standard 886 - E139669

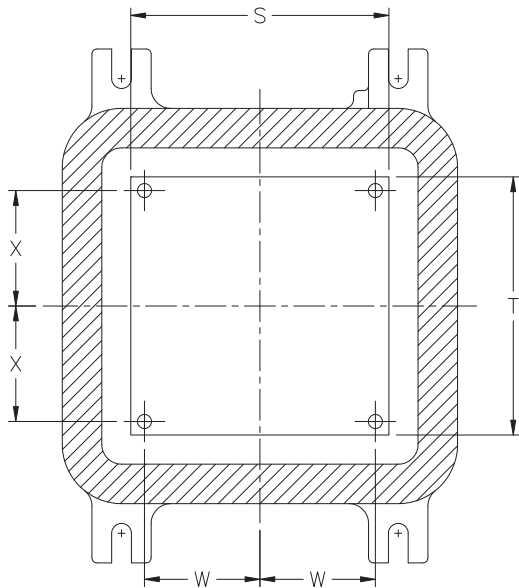
Compliances:

- N.E.C. - Class. I, Div. 1 & 2 Groups B, C & D
- Class. II, Div. 1 & 2 Groups E, F & G
- Class. III
- NEMA 3, 4X, 7 & 9



X
P
C
O
N
T
R
O
L
S
T
A
T
I
O
N
S

Explosion-Proof Control Station “XJCTD” Threaded Dome Cover Series



Dimensions

Catalog Number	Dimensions In Inches						Max. Window Size
	W	L	D	A	B	H	
XJCT2D4	6	6	4	10-5/8	5-3/4	9	2
XJCT2D8	6	6	4	14-5/8	5-3/4	13	2
XJCT2D12	6	6	4	18-5/8	5-3/4	17	2
XJCT3D4	6-1/2	6	4-1/2	11	5-3/4	9-3/8	2
XJCT3D8	6-1/2	6	4-1/2	15	5-3/4	13-3/8	2
XJCT3D12	6-1/2	6	4-1/2	19	5-3/4	17-3/8	2
XJCT4D4	7	7	6	12-5/8	5-3/4	11	2
XJCT4D8	7	7	6	16-5/8	5-3/4	15	2
XJCT4D12	7	7	6	20-5/8	5-3/4	19	2
XJCT5D4	8	8	4	10-15/16	7-1/8	9-1/8	3
XJCT5D12	8	8	4	18-15/16	7-1/8	17-1/8	3
XJCT5D20	8	8	4	26-15/16	7-1/8	25-1/8	3
XJCT6D4	8	8	6	12-15/16	7-1/8	11-1/8	3
XJCT6D12	8	8	6	20-15/16	7-1/8	19-1/8	3
XJCT6D20	8	8	6	28-15/16	7-1/8	27-1/8	3
XJCT7D4	8	10	6	12-15/16	7-1/8	11-1/8	3
XJCT7D12	8	10	6	20-15/16	7-1/8	19-1/8	3
XJCT7D20	8	10	6	28-15/16	7-1/8	27-1/8	3
XJCT8D6	10	10	6	15-1/4	9-1/8	13-1/4	5-1/4
XJCT8D12	10	10	6	21-5/16	9-1/8	19-1/4	5-1/4
XJCT8D20	10	10	6	29-3/8	9-1/8	27-1/4	5-1/4
XJCT9D6	10	10	8	17-1/4	9-1/8	15-1/4	5-1/4
XJCT9D12	10	10	8	23-5/16	9-1/8	21-1/4	5-1/4
XJCT9D20	10	10	8	31-3/8	9-1/8	29-1/4	5-1/4
XJCT11D6	12	12	6	15-1/4	9-1/8	13-1/4	5-1/4
XJCT11D12	12	12	6	21-5/16	9-1/8	19-1/4	5-1/4
XJCT11D20	12	12	6	29-3/8	9-1/8	27-1/4	5-1/4
XJCT12D4	6	5-1/2	4	10-5/8	5-3/4	9	2
XJCT12D8	6	5-1/2	4	14-5/8	5-3/4	13	2
XJCT12D12	6	5-1/2	4	18-5/8	5-3/4	17	2
XJCT14D4	7	9	4-5/32	10-15/16	7-1/8	9-1/4	3
XJCT14D12	7	9	4-5/32	18-15/16	7-1/8	17-1/4	3
XJCT14D20	7	9	4-5/32	26-15/16	7-1/8	25-1/4	3

Mounting Pans (XJCTS/G/D Series)

XJCTS / G / D Number	Mounting Pan Dimension		Mounting Boss Dimension	
	S	T	W	X
XJCT2	4-3/4	4-3/4	2.063	2.063
XJCT3	4-3/4	4-3/4	2.063	2.063
XJCT4	5-1/2	5-1/2	2.438	2.438
XJCT5	6-1/2	6-1/2	2.938	2.938
XJCT6	6-1/2	6-1/2	2.938	2.938
XJCT7	6-1/2	8	2.938	3.688
XJCT8	8	8	3.688	3.688
XJCT9	8-1/2	8-1/2	3.938	3.938
XJCT10	8-1/2	8-1/2	3.938	3.938
XJCT11	8-1/2	8-1/2	3.938	3.938
XJCT12	4-3/4	4-3/4	2.063	2.063
XJCT14	7	4-3/4	2.938	2.063

